

# Parts Catalog

## Phoenix 24

## 24" Walk Behind Scrubber



## Table of Contents

Cylindrical brush drive head 60cm (97099451-7061-33) .....	4
Chassis, cpl. part 1 (97098867-1) .....	17
Chassis, cpl. part 2 (97098867-7061-33-2 A) .....	21
Chassis, cpl. part 2 (97098867-7061-33-2 B) .....	25
Chassis, cpl. part 3 (97098867-3) .....	29
Battery tray (99706133BT50) .....	44
Hopper cpl. part1 (97121743-1) .....	46
Hopper cpl. part2 (97121743-2) .....	48
Suction (97092811) .....	50
Squeegee operation (Available! No.: 00009000) (00009000) .....	52
Squeegee lock (97096655) .....	54
Squeegee 950mm (97094502) .....	56
Squeegee 950mm, cpl. (Available! No.: 01178270) (01178270) .....	61
Operation handle (97096523) .....	66
Electric part 1 (97099790-1) .....	70
Electric part 2 (97099790-2) .....	74
Battery charger 24V 22A (97099436) .....	76
Labels (97099881) .....	78

This manual covers all standard Phoenix 24 models:

**Model No.**

The machine will provide excellent service. However, the best results will be obtained if:

- The machine is operated with reasonable care.
- The machine is maintained regularly per the maintenance schedule in the instruction manual provided.
- The machine is maintained with PowerBoss OEM supplied or equivalent parts.

All right side and left side references to the machine are determined by facing the direction of forward travel. Parts may be ordered by phone or mail from any PowerBoss parts and service center. Before ordering parts or supplies be sure to have your machine model number and serial number handy.

Fill out the data block below for future reference.

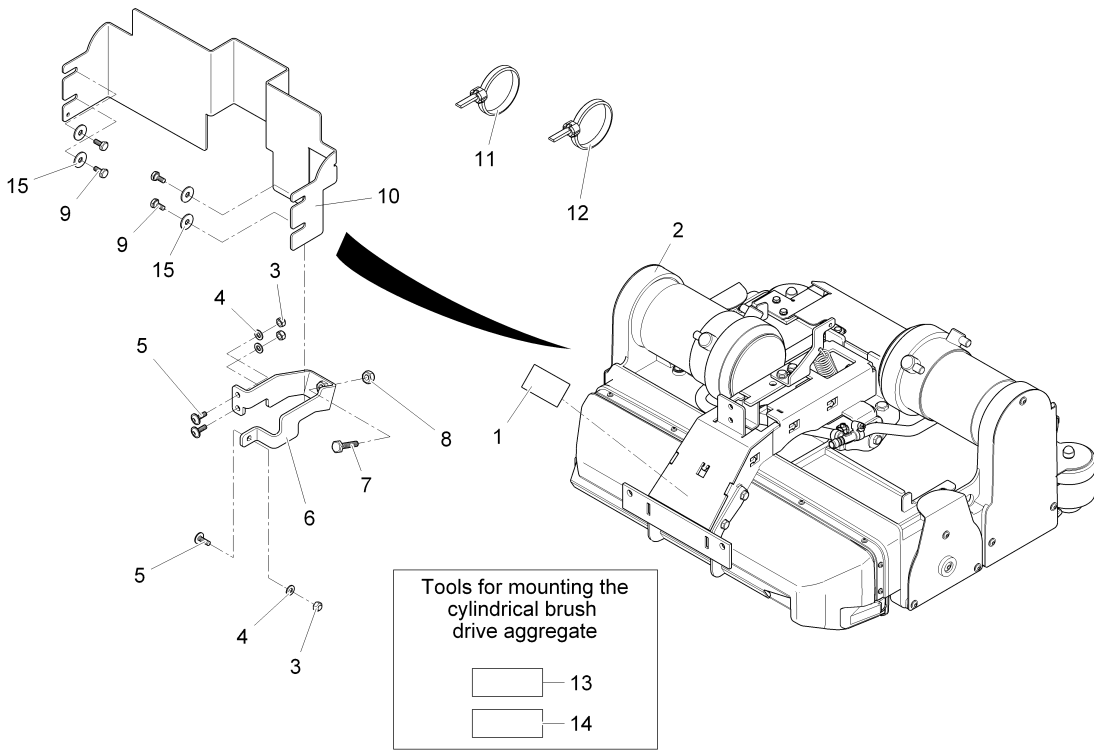
MACHINE DATA Fill Out At Installation	
Model:	Phoenix 24
Serial Number:	_____
Sales Rep or Dealer	_____
Date of Install:	_____
Manual p/n:	988024PB

All information contained in this manual is current at the time of printing However, PowerBoss Reserves the right to make changes at any time without notice.

© 2012, Powerboss, Inc., Printed in USA

All rights reserved. This manual may not be copied or reproduced in any form, without the written permission of PowerBoss, Inc.

**Cylindrical brush drive head 60cm (97099451-7061-33)**



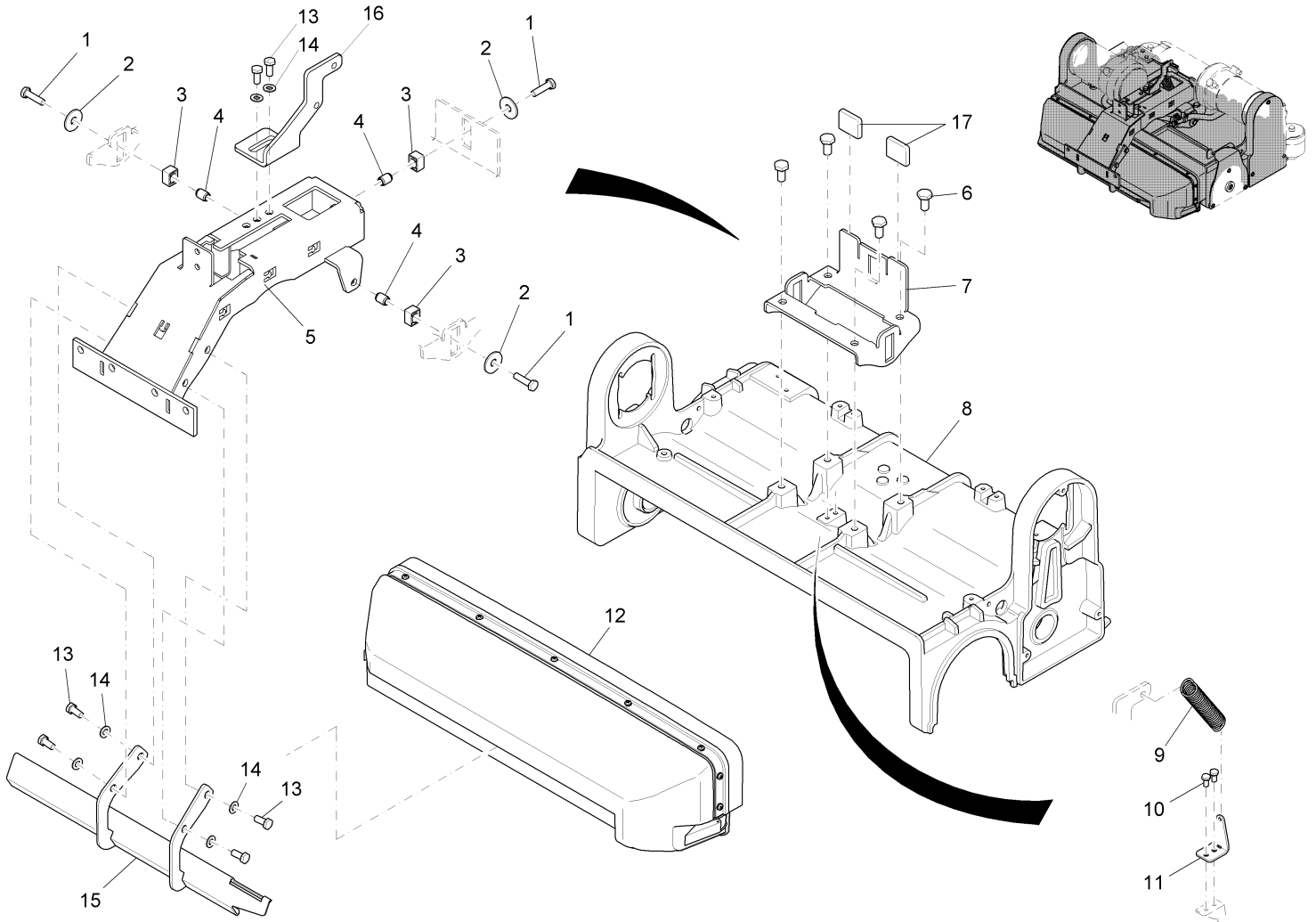
**Cylindrical brush drive head 60cm (97099451-7061-33)**

Item	Part number	Description	Qty.	Unit	Remarks
1	03008790	Backing film	1	PC	
2	<b>97099444-7061-33</b>	<b>Cylindrical brush drive head cpl.</b>	<b>Page 6</b>	<b>6</b>	
3	00051510	Hex. Nut	2	PC	
4	00053750	Washer	3	PC	
5	01000670	Lens flange screw	3	PC	
6	01170070	Retainer	1	PC	
7	00053170	Hexagon screw	1	PC	
8	00051500	Hex. Nut	1	PC	
9	00053080	Hexagon screw	4	PC	
10	01170080	Sheet metal	1	PC	
11	00121150	Cable tie	6	PC	
12	00967760	Cable tie	4	PC	
13	03006790	Wiring harness to error reset	1	PC	see Circular letter KUD 26 (2006-12-01)
14	01078870	Adjusting kit BRUSHES AGGREGATE	1	PC	see Circular letter KUD 26 (2006-12-01)
15	00042900	Washer	4	PC	

**Cylindrical brush drive head cpl. (97099444-7061-33)**

<b>Assembly</b>	<b>Description</b>	<b>Page</b>
97099444-1	Cylindrical brush drive head cpl., part 1	7
97099444-2-7061-33	Cylindrical brush drive head cpl., part 2	11
97099444-3	Cylindrical brush drive head cpl., part 3	15

**Cylindrical brush drive head cpl., part 1 (97099444-1)**

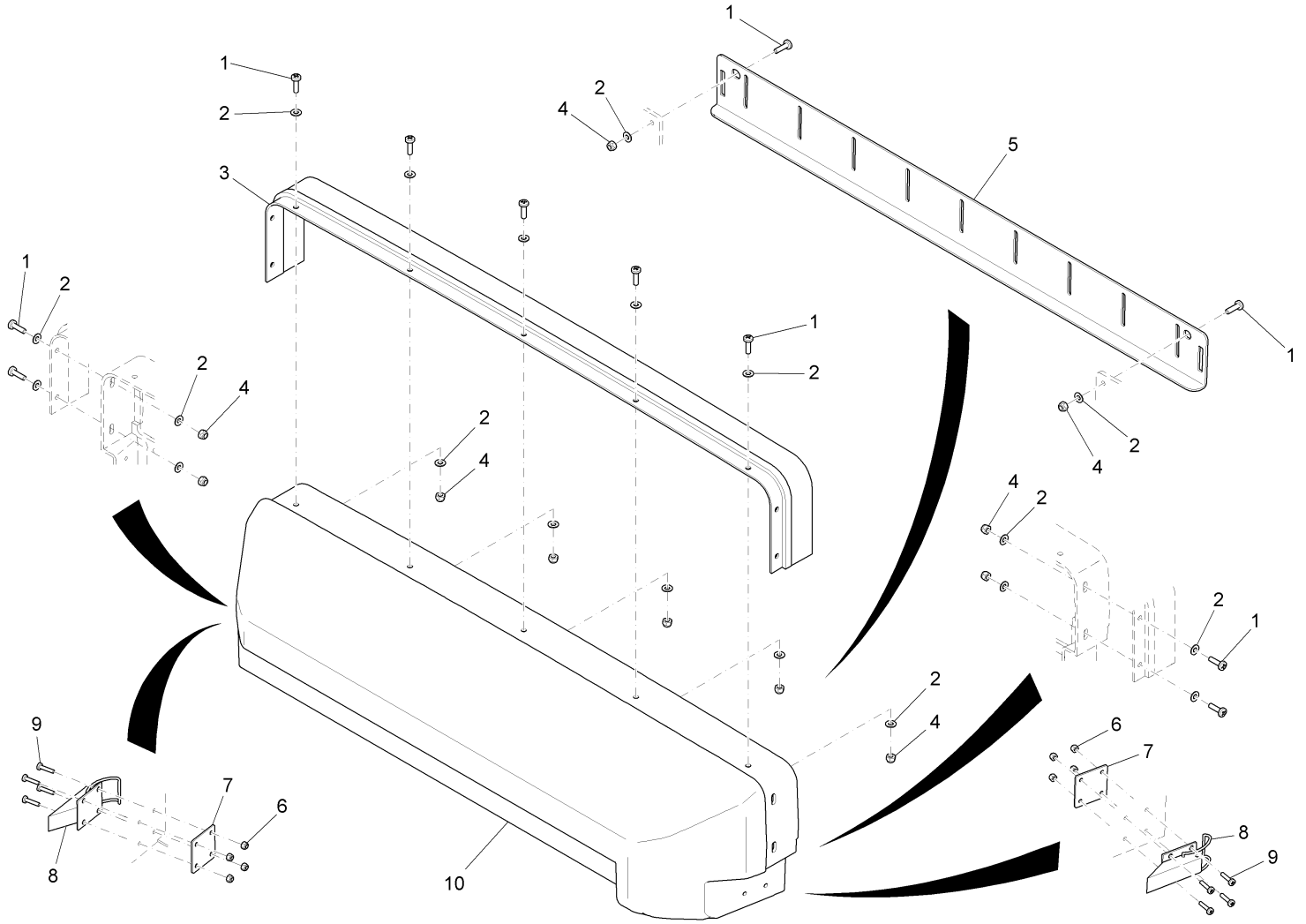


**Cylindrical brush drive head cpl., part 1 (97099444-1)**

Item	Part number	Description	Qty.	Unit	Remarks
1	01078690	Hexagon screw	3	PC	
2	01161070	Washer	3	PC	
3	01078700	Slide block	3	PC	
4	01077730	Bushing	3	PC	
5	03007970	Rocker cylindrical brush	1	PC	
6	01078720	Hexagon screw	4	PC	
7	01170090	Retainer	1	PC	
8	01078740	Housing	1	PC	
9	01072680	Tension spring	1	PC	
10	01071750	Hexagon screw	2	PC	
11	01077890	Angle	1	PC	
12	<b>97087191</b>	<b>Dirt hopper cpl.</b>	<b>Page</b>	<b>9</b>	
13	00553690	Hex.bolt	6	PC	
14	00053750	Washer	6	PC	
15	01078750	Guide bar	1	PC	
16	01170100	Spring holder	1	PC	
17	01074240	Cap	2	PC	



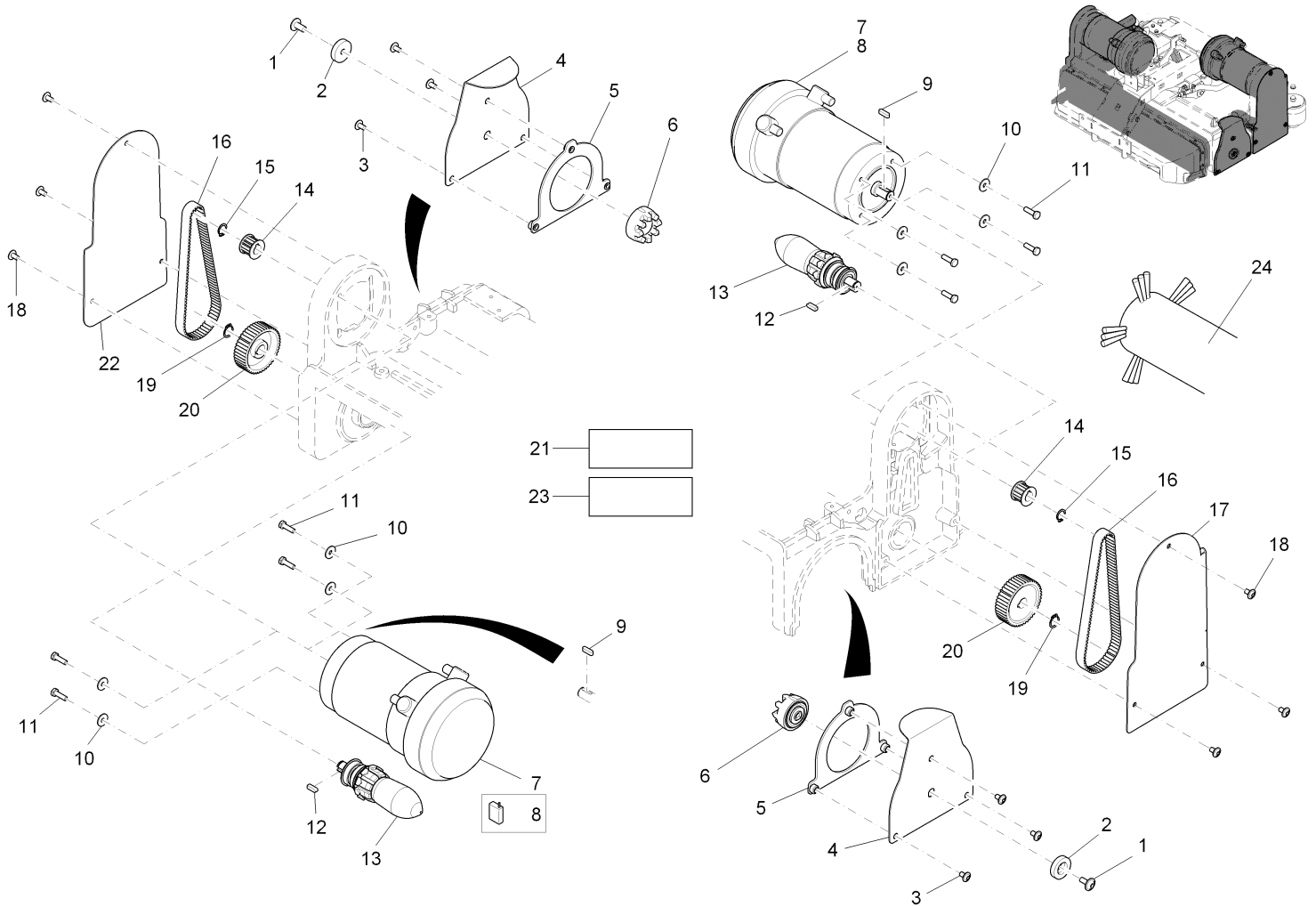
Dirt hopper cpl. (97087191)



**Dirt hopper cpl. (97087191)**

Item	Part number	Description	Qty.	Unit	Remarks
1	01072260	Fillister-head screw	11	PC	
2	00874720	Washer	20	PC	
3	01077690	Broom rail	1	PC	
4	00970190	Hex. Nut	11	PC	
5	01078830	Sheet metal apron	1	PC	
6	01072270	Hex. Nut	8	PC	
7	01076250	Plate	2	PC	
8	01072220	Lock	2	PC	
9	01072230	Fillister-head screw	8	PC	
10	01078840	Dirt container	1	PC	

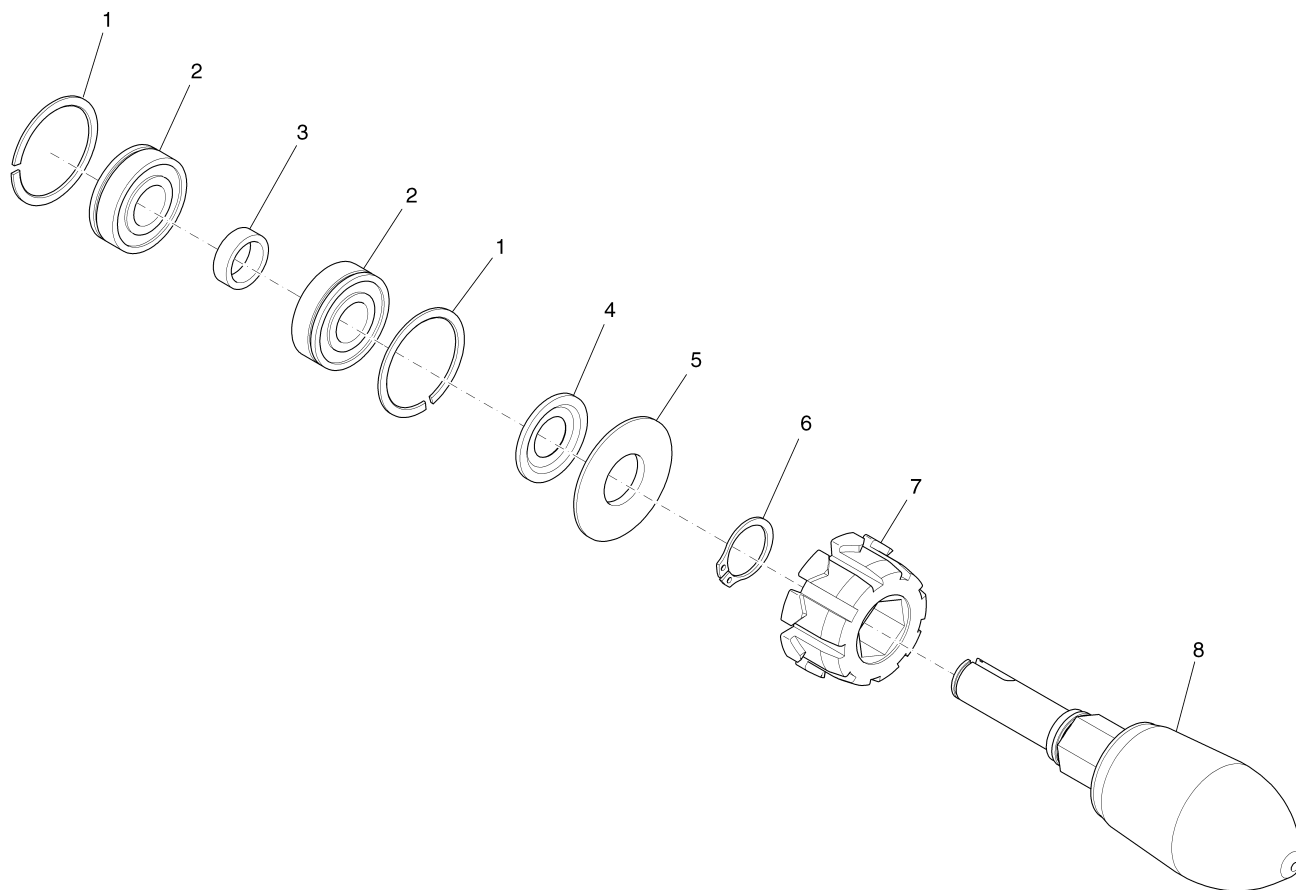
Cylindrical brush drive head cpl., part 2 (97099444-2-7061-33)



**Cylindrical brush drive head cpl., part 2 (97099444-2-7061-33)**

Item	Part number	Description	Qty.	Unit	Remarks
1	01074320	Lens flange screw	2	PC	
2	01074330	Washer	2	PC	
3	01072520	Lens flange screw	6	PC	
4	01078760	Side cover	2	PC	
5	01078770	Centering bend	2	PC	
6	01074340	Bearing	2	PC	
7	01077190	Motor	2	PC	
8	00553060	Set (4pc.) carbon brush	4	PC	
9	00022430	Feather key	2	PC	
10	00135120	Washer	8	PC	
11	00053020	Hexagon screw	8	PC	
12	01072580	Feather key	2	PC	
13	<b>01072560</b>	<b>Carrier, cpl.</b>	<b>Page</b>	<b>13</b>	
14	01072460	Toothed belt pulley	2	PC	
15	00022440	Retaining ring	2	PC	
16	01072540	Toothed belt	2	PC	
17	01170510	Sheet metal R.H.	1	PC	
18	01072520	Lens flange screw	6	PC	
19	00022340	Retaining ring	2	PC	
20	01072570	Toothed belt pulley	2	PC	
21	03007980	Wiring harness W13	1	PC	
22	01078790	Sheet metal L.H.	1	PC	
23	03007990	Wiring harness W14	1	PC	
24	99702200	Brush set cyl. brush PA 6.12 Korn 500	1	PC	Degree of soiling medium to heavy, structured flooring, SIC PA 6. 12, Kom 500

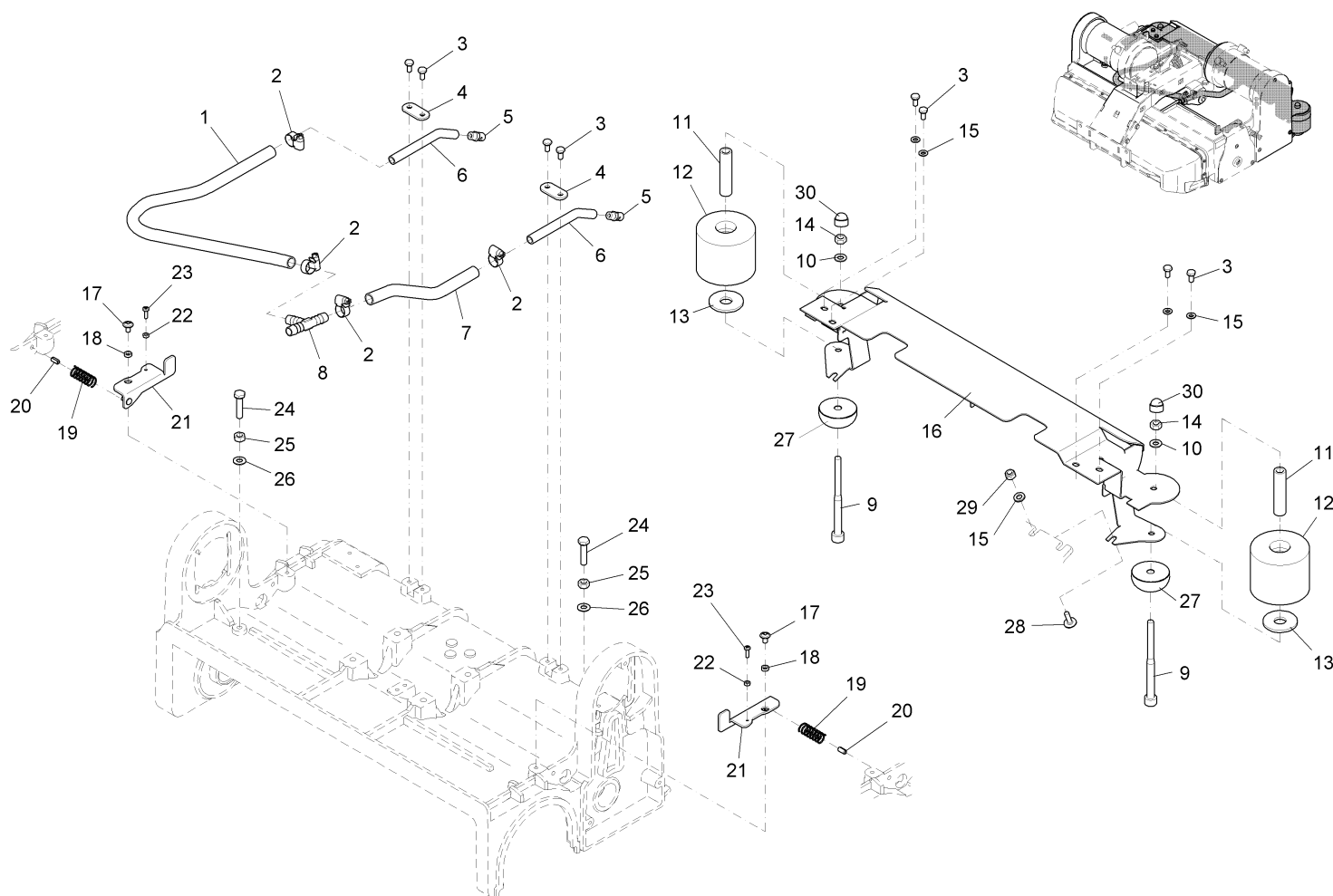
Carrier, cpl. (01072560)



**Carrier, cpl. (01072560)**

Item	Part number	Description	Qty.	Unit	Remarks
1	01078820	Circlip	2	PC	
2	01076560	Grooved ball bearing	2	PC	
3	01077520	Bushing	1	PC	
4	00124220	Ring	1	PC	
5	01077550	Bushing	1	PC	
6	00054310	Retaining ring	1	PC	
7	01077540	Bushing	1	PC	
8	01077530	Retainer	1	PC	

Cylindrical brush drive head cpl., part 3 (97099444-3)

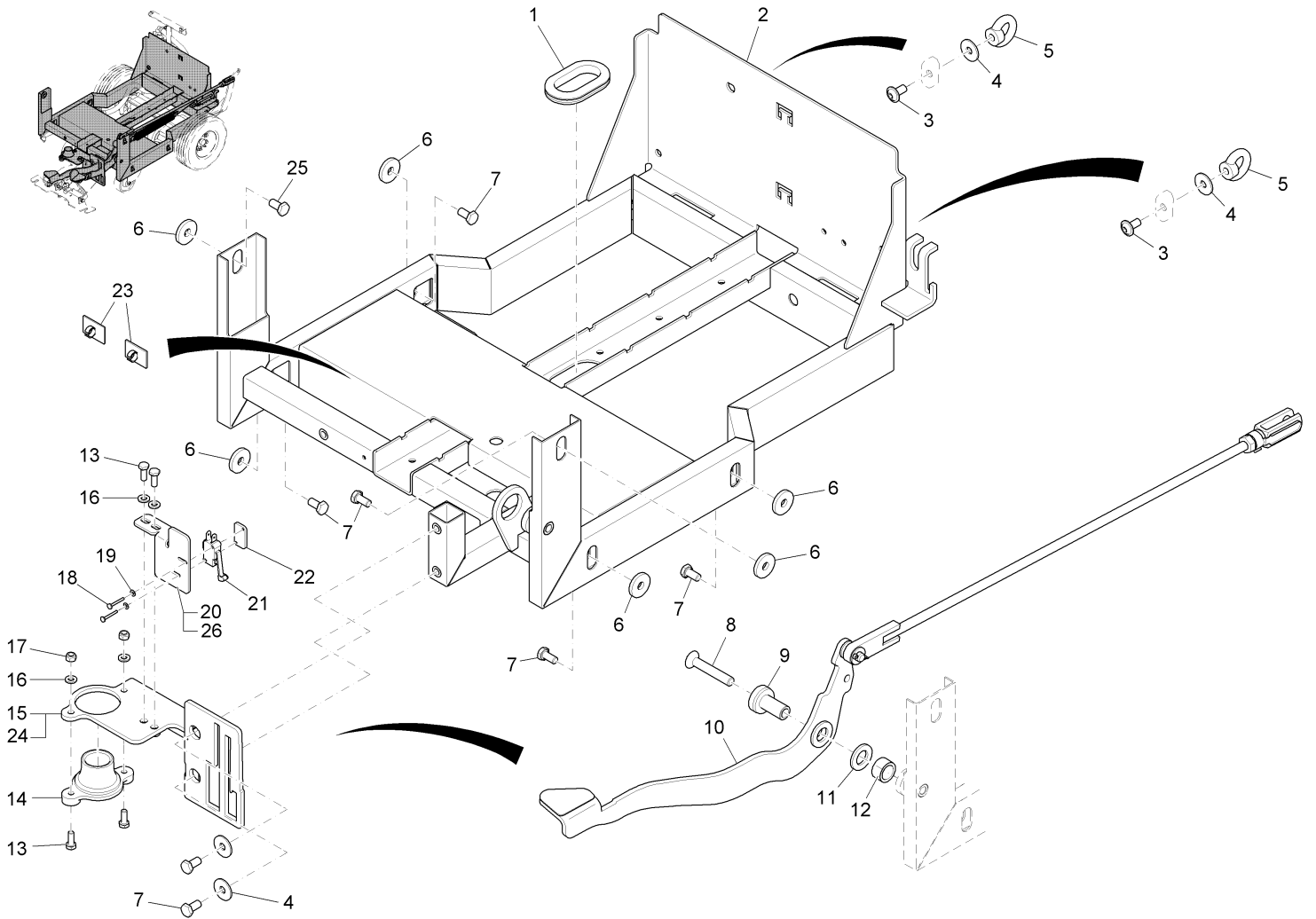


**Cylindrical brush drive head cpl., part 3 (97099444-3)**

Item	Part number	Description	Qty.	Unit	Remarks
1	00171030	Hose	520mm	M	
2	00074300	Hose clamp	4	PC	
3	01071750	Hexagon screw	8	PC	
4	01072500	Clamping sheet metal	2	PC	
5	01072640	Jet	2	PC	
6	01072630	Pipe	2	PC	
7	00171030	Hose	240mm	M	
8	00976160	T-piece	1	PC	
9	01170110	Socket head screw	2	PC	
10	00053750	Washer	4	PC	
11	01078800	Pipe	2	PC	
12	00976590	Roller	2	PC	
13	00132610	Washer	2	PC	
14	00051510	Hex. Nut	2	PC	
15	00102150	Washer	6	PC	
16	01078810	Cross beam	1	PC	
17	01072520	Lens flange screw	2	PC	
18	01073360	Bushing	2	PC	
19	00550870	Cyl.compression spring	2	PC	
20	00107140	Dowel pin	2	PC	
21	01072620	Lever, cpl.	2	PC	
22	01072510	Hex. Nut	2	PC	
23	01072260	Fillister-head screw	2	PC	
24	00523810	Hex.bolt	2	PC	
25	00971400	Hex. Nut	2	PC	
26	00101550	Washer	2	PC	
27	01170120	Stop	2	PC	
28	01015340	Lens flange screw	2	PC	
29	00051520	Hex. Nut	2	PC	
30	00131610	Lens cap	2	PC	



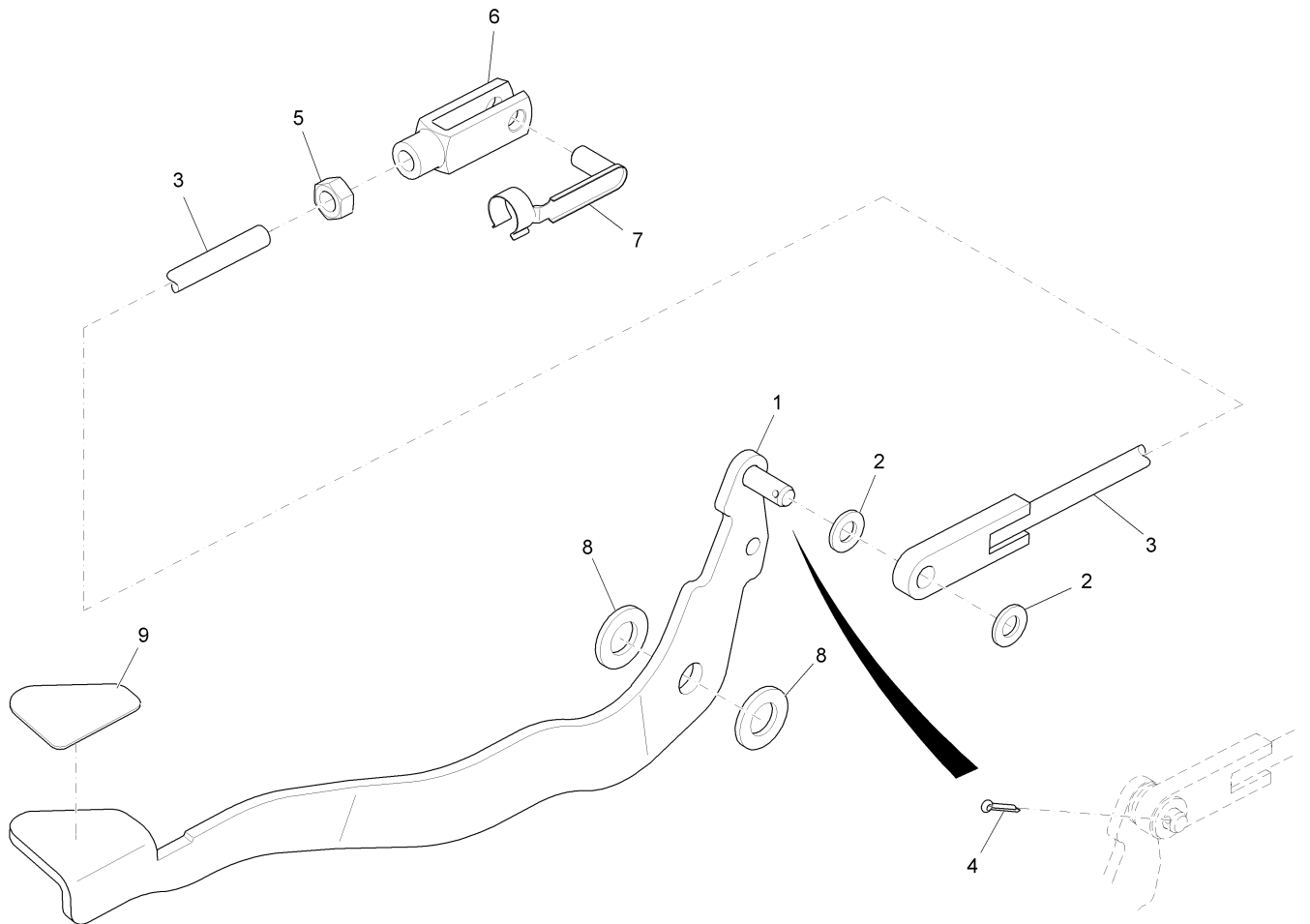
Chassis, cpl. part 1 (97098867-1)



**Chassis, cpl. part 1 (97098867-1)**

Item	Part number	Description	Qty.	Unit	Remarks
1	01078440	Grommet	1	PC	
2	03007640	Chassis	1	PC	
3	01074320	Lens flange screw	2	PC	
4	00042900	Washer	4	PC	
5	01078450	Nut	2	PC	
6	00879170	Washer	6	PC	
7	00053080	Hexagon screw	8	PC	
8	01078140	Countersunk screw	1	PC	
9	01077800	Bushing	1	PC	
10	<b>97093181</b>	<b>Lifting pedal</b>	<b>Page</b>	<b>19</b>	
11	00053790	Washer	1	PC	
12	01077790	Pipe	1	PC	
13	00053010	Hex.bolt	6	PC	
14	01077780	Bushing	1	PC	
15	01078460	Sheet metal	1	PC	until ca. June 2007
16	00053730	Washer	4	PC	
17	00051520	Hex. Nut	2	PC	
18	00022180	Hex.bolt	2	PC	
19	00553740	Washer	2	PC	
20	01078470	Retainer	1	PC	until ca. June 2007
21	00975510	Micro switch	1	PC	
22	01074840	Thread base plate	1	PC	
23	01143190	Cable clip	2	PC	
24	01079680	Sheet metal	1	PC	from ca. July 2007
25	00553690	Hex.bolt	1	PC	
26	01170010	Retainer	1	PC	from ca. July 2007

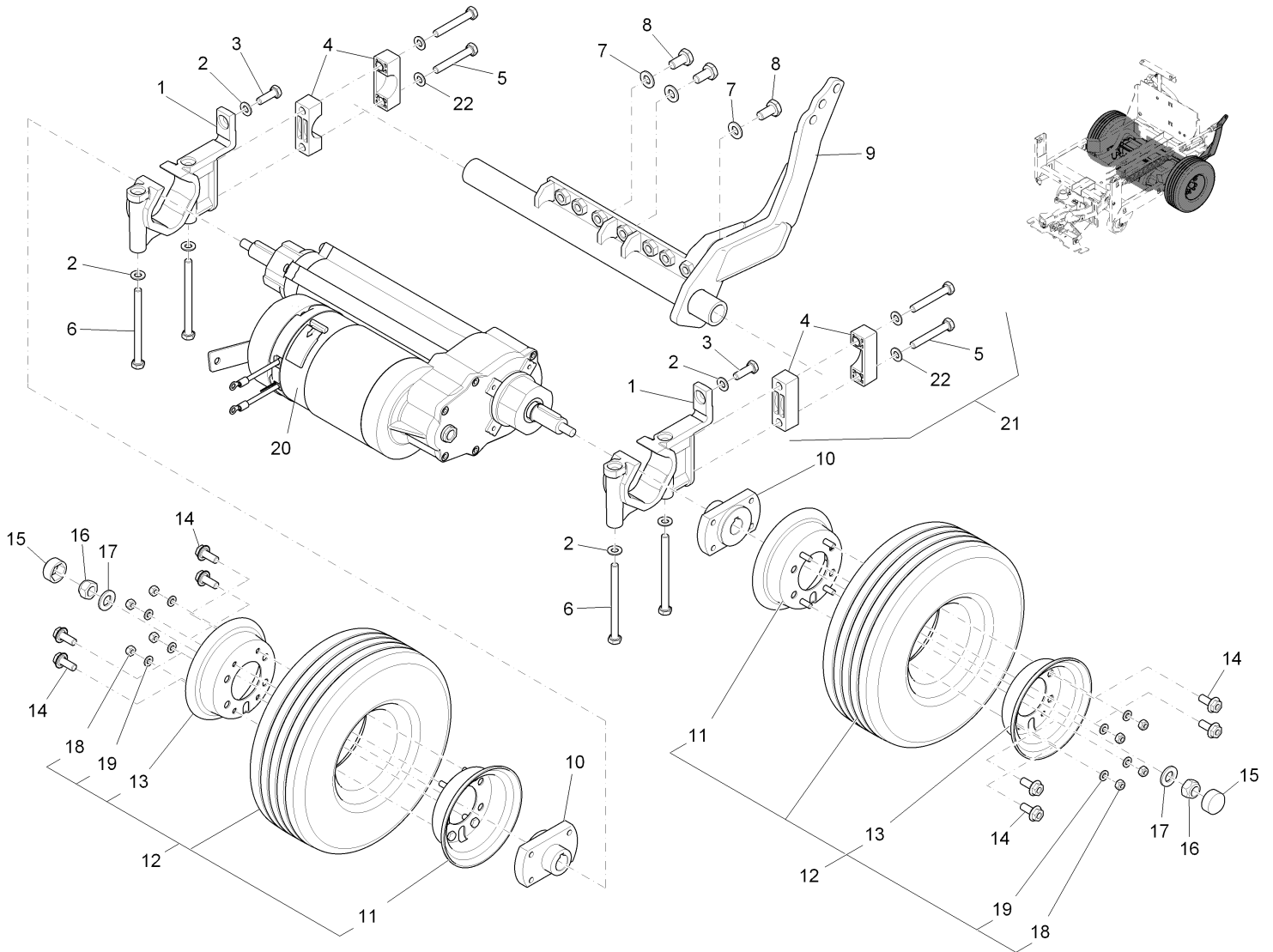
Lifting pedal (97093181)



**Lifting pedal (97093181)**

Item	Part number	Description	Qty.	Unit	Remarks
1	01170020	Lifting pedal	1	PC	
2	00053760	Washer	2	PC	
3	01077930	Rod	1	PC	
4	00551410	Cotter pin	1	PC	
5	00053360	Hex. Nut	1	PC	
6	00925430	Fork yoke	1	PC	
7	00925420	Bolt	1	PC	
8	01078240	Washer	2	PC	
9	01078560	Decal	1	PC	

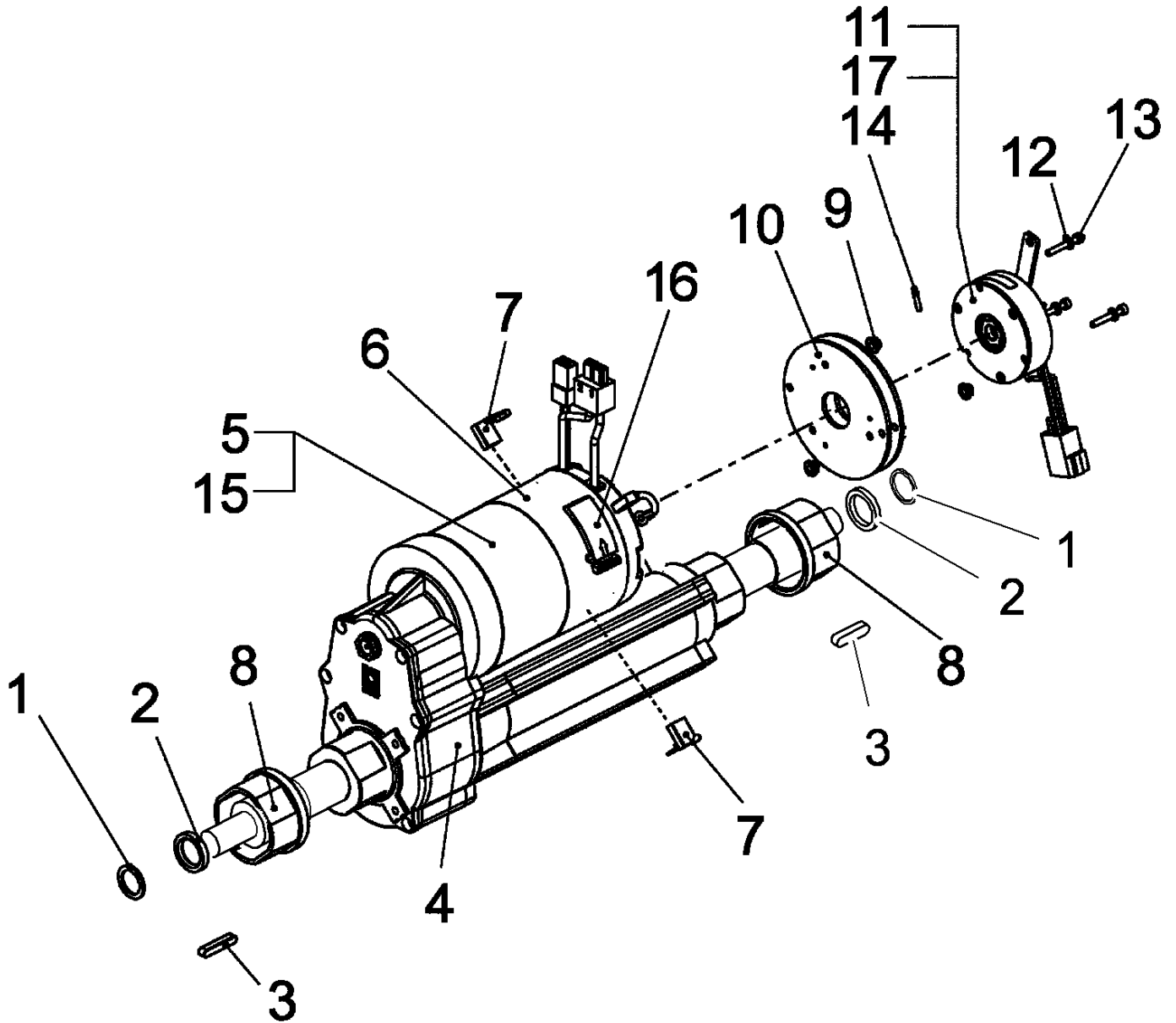
Chassis, cpl. part 2 (97098867-7061-33-2 A)



**Chassis, cpl. part 2 (97098867-7061-33-2 A) 1900-01-01 --> 2008-11-30**

Item	Part number	Description	Qty.	Unit	Remarks
1	01078480	Bearing AMER	2	PC	
2	00053750	Washer	10	PC	
3	00053100	Hexagon screw	1	PC	
4	01078020	Block	4	PC	from appr. march 2008; if you want to exchange older blocks, please order Pos. 21!
5	00053260	Hex.bolt	4	PC	
6	00053140	Hex.bolt	4	PC	
7	00053760	Washer	3	PC	
8	00053310	Hexagon screw	3	PC	
9	01078490	Lever	1	PC	
10	01078010	Hub	2	PC	
11	00621690	Rim half	2	PC	
12	01056130	Wheel	2	PC	
13	00621710	Rim	2	PC	
14	00959310	Hex.bolt	8	PC	
15	01031540	protection cap	2	PC	
16	00051490	Hex. Nut	2	PC	
17	00053770	Washer	2	PC	
18	00051520	Hex. Nut	8	PC	
19	00053730	Washer	8	PC	
20	<b>01077160</b>	<b>Motor Amer MRP-9-D</b>	<b>Page</b>	<b>23</b>	
21	00008980	Block	1	PC	incl. Pos. 4, 5, 22. please order kit because it's necessary to exchange all 4 blocks
22	00042900	Washer	4	PC	

Motor Amer MRP-9-D (01077160)

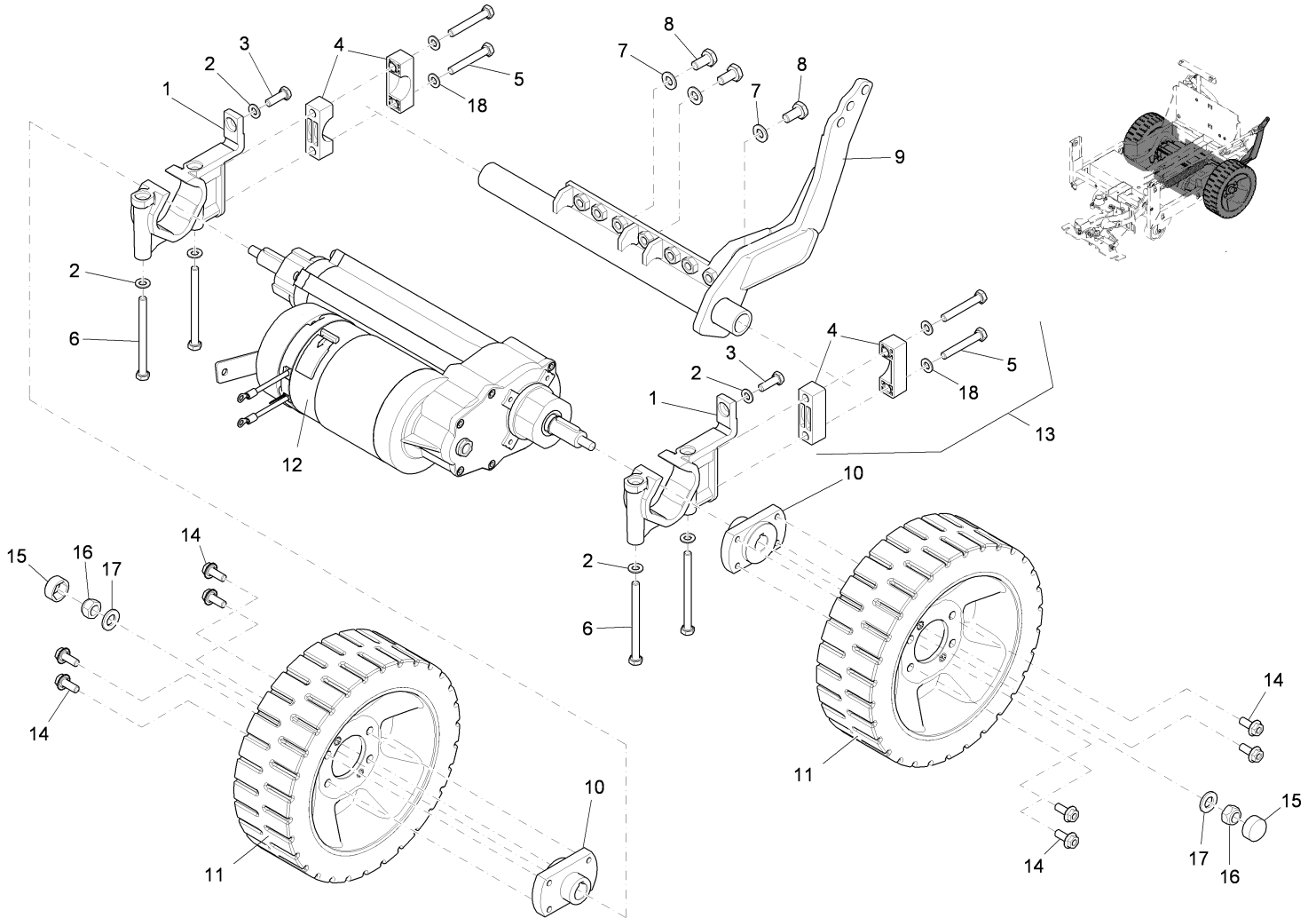


**Motor Amer MRP-9-D (01077160)**

Item	Part number	Description	Qty.	Unit	Remarks
1	01077430	Washer	2	PC	
2	01077420	Gasket	3	PC	
3	01077410	Fitting key	2	PC	
4	01077390	Gear box with shaft	1	PC	
5	01077340	Motor	1	PC	
6	01077360	Covering	1	PC	
7	01077350	Carbon brush	4	PC	
8	01077400	Bushing	2	PC	
9	01077380	Nut	4	PC	
10	XXXXXXXX	no part-No. til yet	2		Brake flange
11	01171710	Parking brake	1	PC	
12	01171720	Washer	3	PC	
13	01171730	Screw	3	PC	
14	01171700	Spring pin	1	PC	
15	01077370	Stud screw	2	PC	
16	01173630	Mounting clip	1	PC	
17	01173050	Micro switch	1	PC	



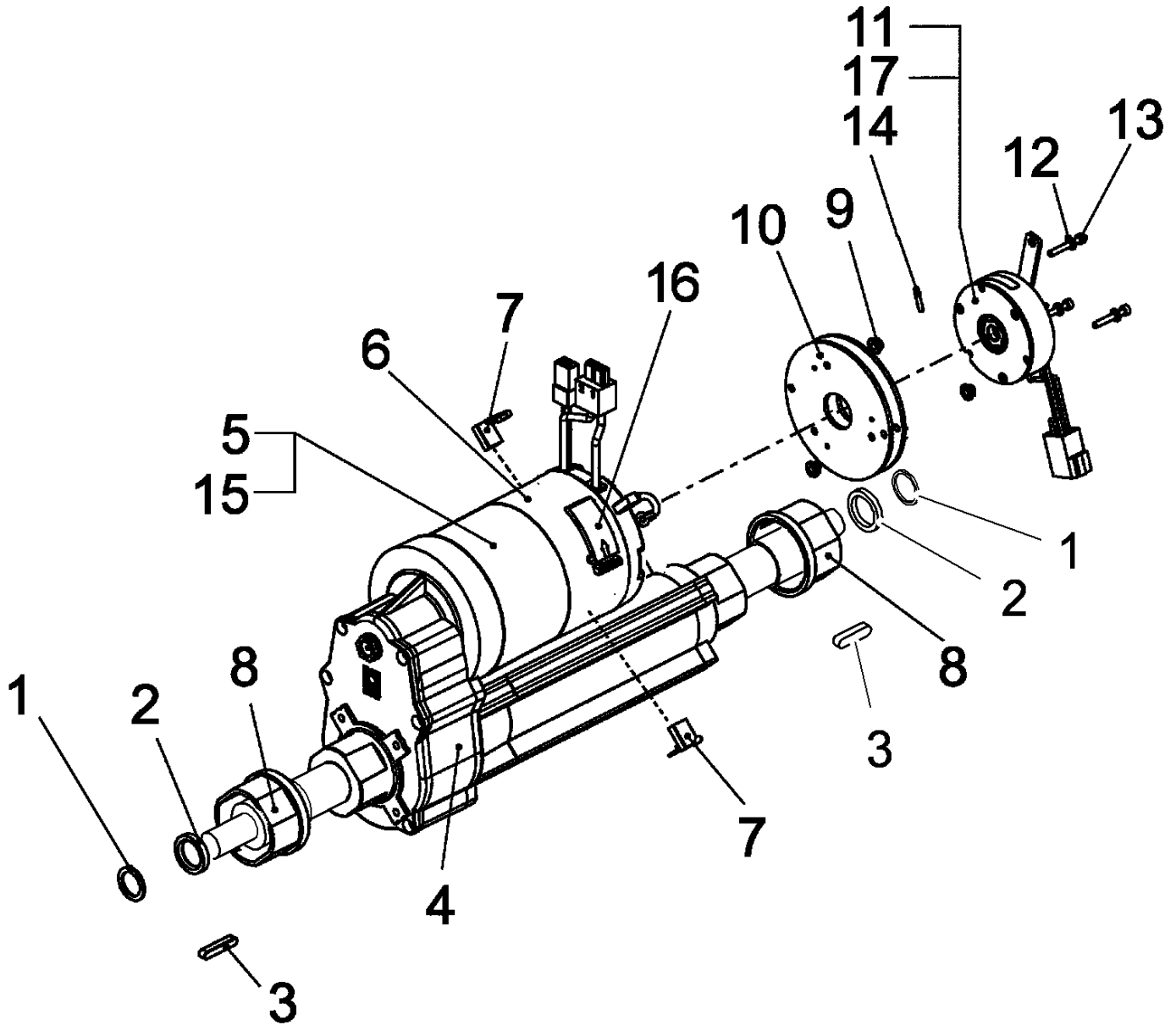
**Chassis, cpl. part 2 (97098867-7061-33-2 B)**



Chassis, cpl. part 2 (97098867-7061-33-2 B) 2008-12-01 -->

Item	Part number	Description	Qty.	Unit	Remarks
1	01078480	Bearing AMER	2	PC	
2	00053750	Washer	10	PC	
3	00053100	Hexagon screw	1	PC	
4	01078020	Block	4	PC	from appr. march 2008; if you want to exchange older blocks, please order Pos. 13!
5	00053260	Hex.bolt	4	PC	
6	00053140	Hex.bolt	4	PC	
7	00053760	Washer	3	PC	
8	00053310	Hexagon screw	3	PC	
9	01078490	Lever	1	PC	
10	01078010	Hub	2	PC	
11	01071180	Wheel	2	PC	
12	<b>01077160</b>	<b>Motor Amer MRP-9-D</b>	<b>Page</b>	<b>27</b>	
13	00008980	Block	1	PC	incl. Pos. 4, 5, 10. please order kit because it's necessary to exchange all 4 blocks
14	01171260	Hexagon screw	8	PC	Tightening torque: 38 Nm
15	01031540	protection cap	2	PC	
16	00051490	Hex. Nut	2	PC	
17	00053770	Washer	2	PC	
18	00042900	Washer	4	PC	

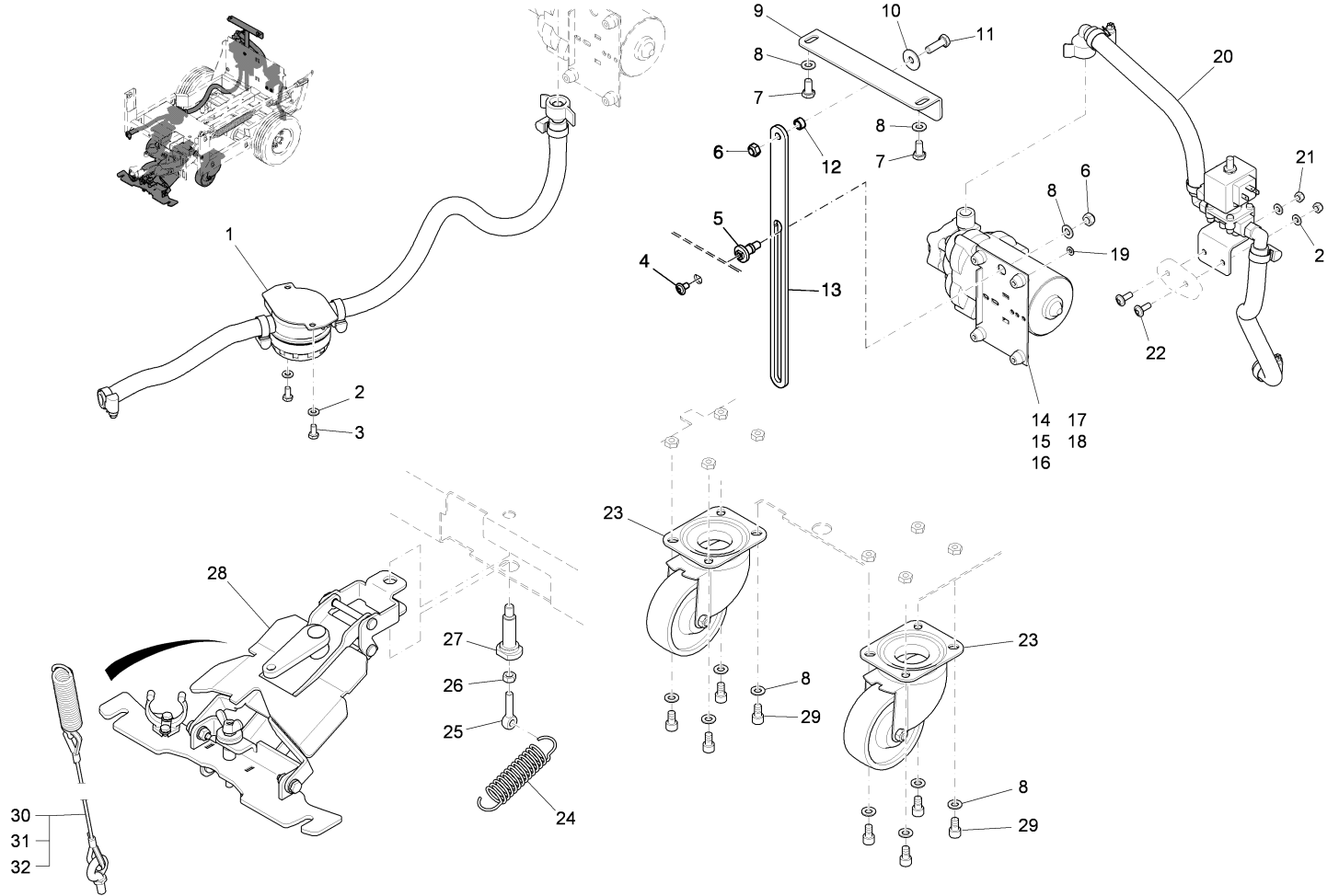
Motor Amer MRP-9-D (01077160)



**Motor Amer MRP-9-D (01077160)**

Item	Part number	Description	Qty.	Unit	Remarks
1	01077430	Washer	2	PC	
2	01077420	Gasket	3	PC	
3	01077410	Fitting key	2	PC	
4	01077390	Gear box with shaft	1	PC	
5	01077340	Motor	1	PC	
6	01077360	Covering	1	PC	
7	01077350	Carbon brush	4	PC	
8	01077400	Bushing	2	PC	
9	01077380	Nut	4	PC	
10	XXXXXXXX	no part-No. til yet	2		Brake flange
11	01171710	Parking brake	1	PC	
12	01171720	Washer	3	PC	
13	01171730	Screw	3	PC	
14	01171700	Spring pin	1	PC	
15	01077370	Stud screw	2	PC	
16	01173630	Mounting clip	1	PC	
17	01173050	Micro switch	1	PC	

**Chassis, cpl. part 3 (97098867-3)**

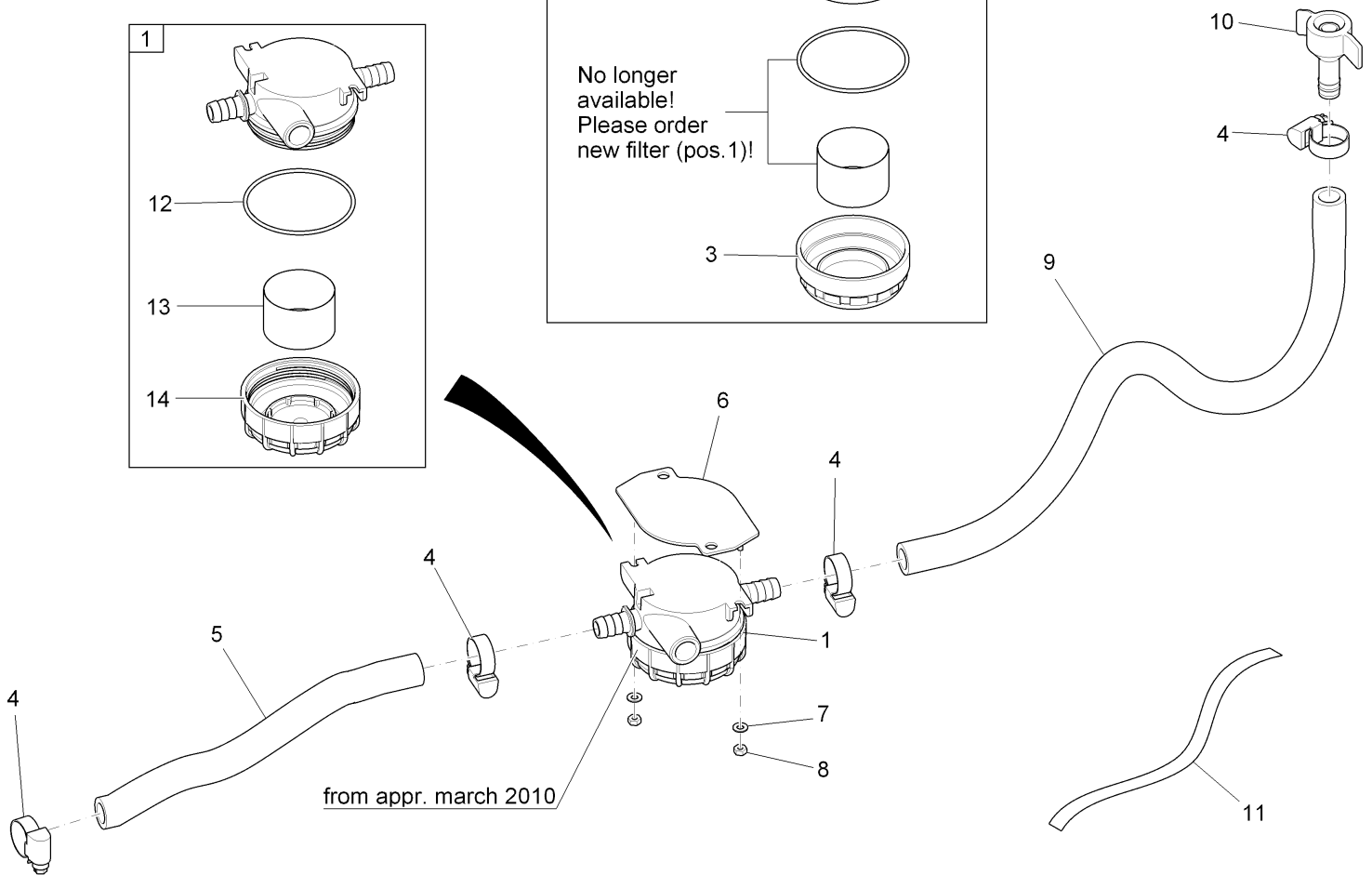
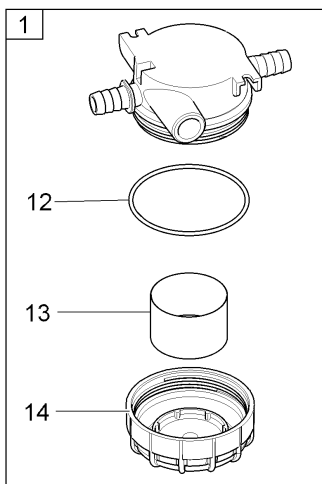
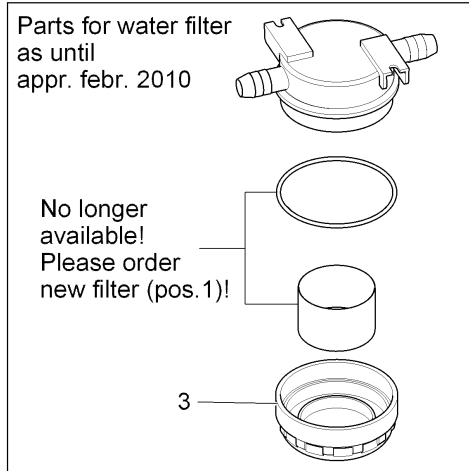


- 30: B70, B70 CL, B70 CLH,  
B 650/07
- 31: B90, B120
- 32: B90CL, B90 CLH

**Chassis, cpl. part 3 (97098867-3)**

Item	Part number	Description	Qty.	Unit	Remarks
1	<b>97094981</b>	<b>Water supply</b>	<b>Page</b>	<b>31</b>	
2	00053730	Washer	4	PC	
3	00104500	Hexagon screw	2	PC	
4	01072520	Lens flange screw	1	PC	
5	01077820	Bushing	1	PC	
6	00051510	Hex. Nut	2	PC	
7	00053080	Hexagon screw	10	PC	
8	00053750	Washer	11	PC	
9	01077760	Retainer	1	PC	
10	00042900	Washer	1	PC	
11	00053100	Hexagon screw	2	PC	
12	01077700	Bushing	1	PC	
13	01077740	Sheet metal	1	PC	
14	00543750	Pump	1	PC	
15	00559670	Case	1	PC	
16	00083640	Plastic cover	1	PC	
17	00083650	Plastic cover	1	PC	
18	00903190	Tab	1	PC	
19	00053720	Washer	1	PC	
20	<b>97094999-7061-40</b>	<b>Water supply</b>	<b>Page</b>	<b>33</b>	
21	00051520	Hex. Nut	2	PC	
22	01017640	Lens flange screw	2	PC	
23	01077840	Steering roller	2	PC	
24	01078150	Tension spring	1	PC	
25	00735690	Eye bolt	1	PC	
26	00053350	Hex. Nut	1	PC	
27	01077830	Pivot	1	PC	
28	<b>03008100</b>	<b>Squeegee connection (Available! No.: 03008100)</b>	<b>Page</b>	<b>35</b>	
29	00103300	Socket head screw	8	PC	
30	01077980	Linkage	1	PC	with B 70, B70 CL, B70 CLH, B650/07, MMAN E 26, Phoenix 26
31	01170560	Linkage	1	PC	with B 90, B120, MMAN E28, 30, 33, 33XL, Phoenix 35
32	01170620	Linkage	1	PC	with B90 CL, CLH, Phoenix 28, 30

**Water supply (97094981)**

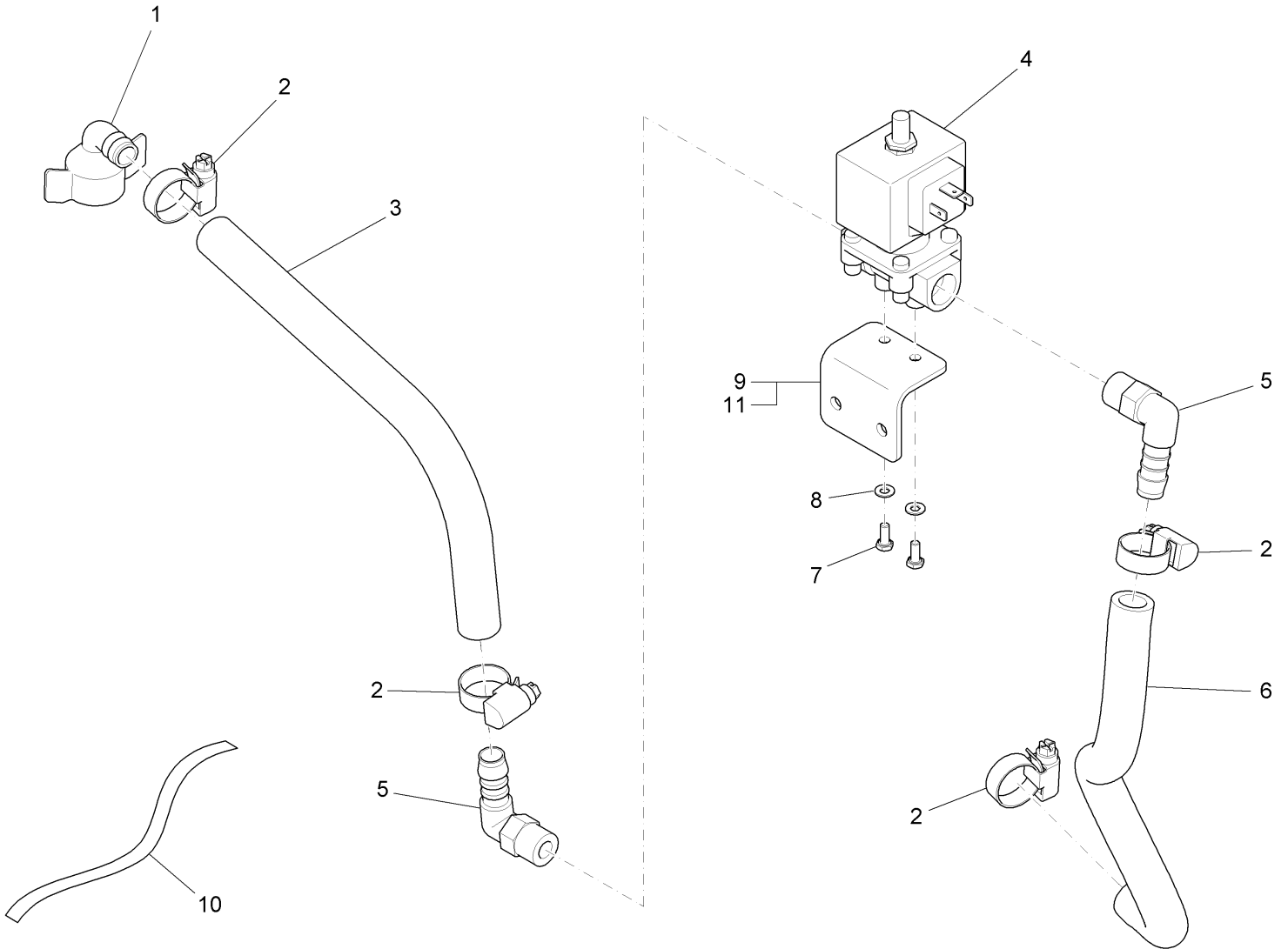


**Water supply (97094981)**

Item	Part number	Description	Qty.	Unit	Remarks
1	01077170	Water filter	1	PC	
3	01076500	Screw cap	1	PC	
4	01015350	Hose clamp	4	PC	
5	00200170	PVC hose	300mm	M	
6	01078510	Sheet metal	1	PC	
7	00053710	Washer	2	PC	
8	00133830	Hex. Nut	2	PC	
9	00200170	PVC hose	480mm	M	
10	01071450	Screwing	1	PC	
11	03007630	Sealing band	1	M	
12	01178130	O-ring	1	PC	
13	01178210	Strainer	1	PC	
14	01177090	Filter cover	1	PC	



**Water supply (97094999-7061-40)**





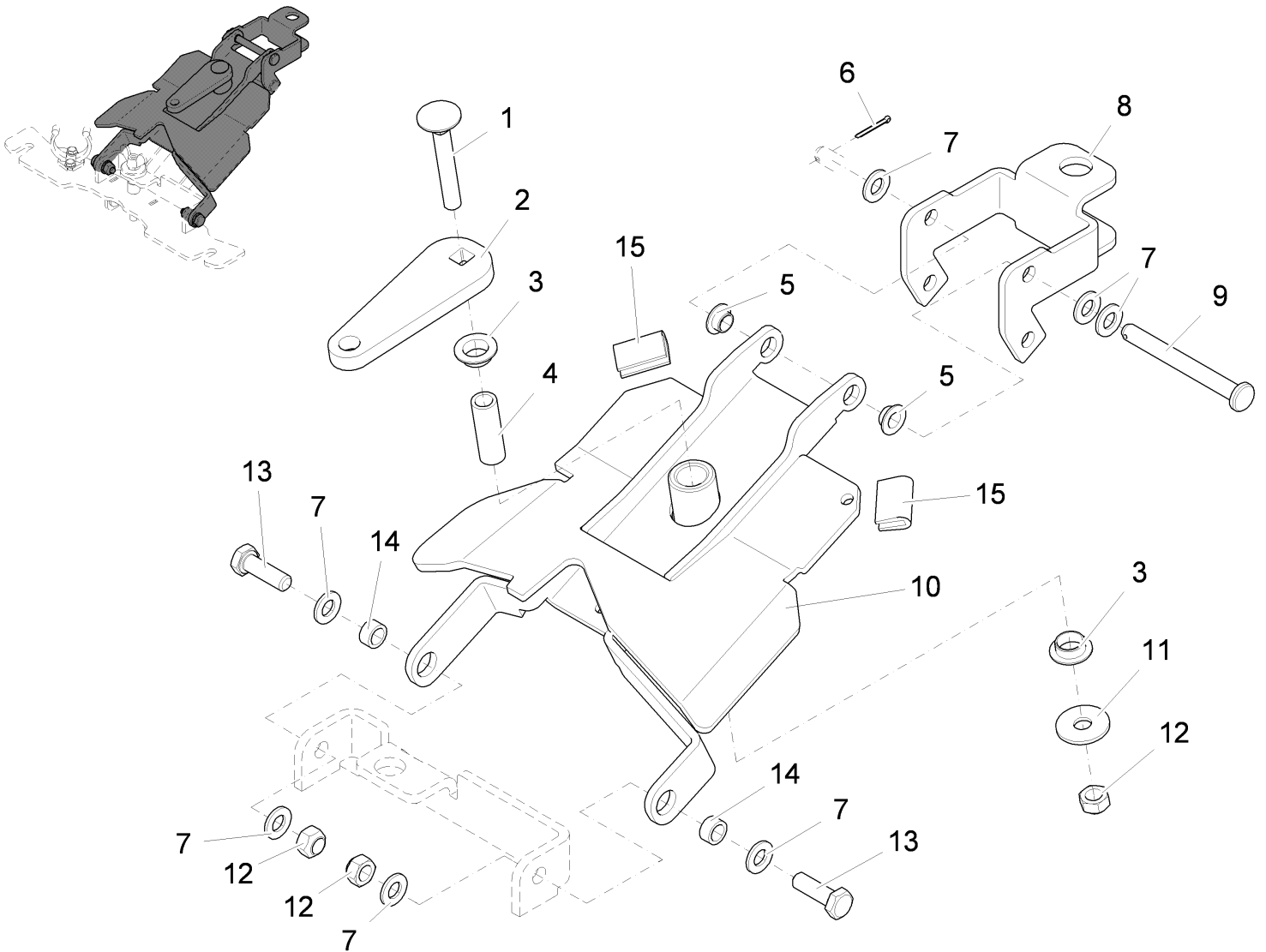
**Water supply (97094999-7061-40)**

Item	Part number	Description	Qty.	Unit	Remarks
1	00154140	Screwed angle fitting	1	PC	
2	01015350	Hose clamp	4	PC	
3	00200170	PVC hose	1	M	
4	01071000	Electrovalve	1	PC	
5	00020020	Angle socket	2	PC	
6	00200170	PVC hose	1	M	
7	00058580	Hex.bolt	2	PC	
8	00053710	Washer	2	PC	
9	01076660	Retainer	1	PC	until ca. march 2007
10	03007630	Sealing band	1	M	
11	01170030	Retainer	1	PC	from ca. march 2007

**Squeegee connection (Available! No.: 03008100) (03008100)**

<b>Assembly</b>	<b>Description</b>	<b>Page</b>
97099915-1	Squeegee connection (until appr. 15. Apr. 2008) part 1	36
97099915-2	Squeegee connection (until appr. 15. Apr. 2008) part 2	38
03008100BT10	Squeegee connection (from appr. 15. Apr. 2008) part 1	40
03008100BT20	Squeegee connection (from appr. 15. Apr. 2008) part 2	42

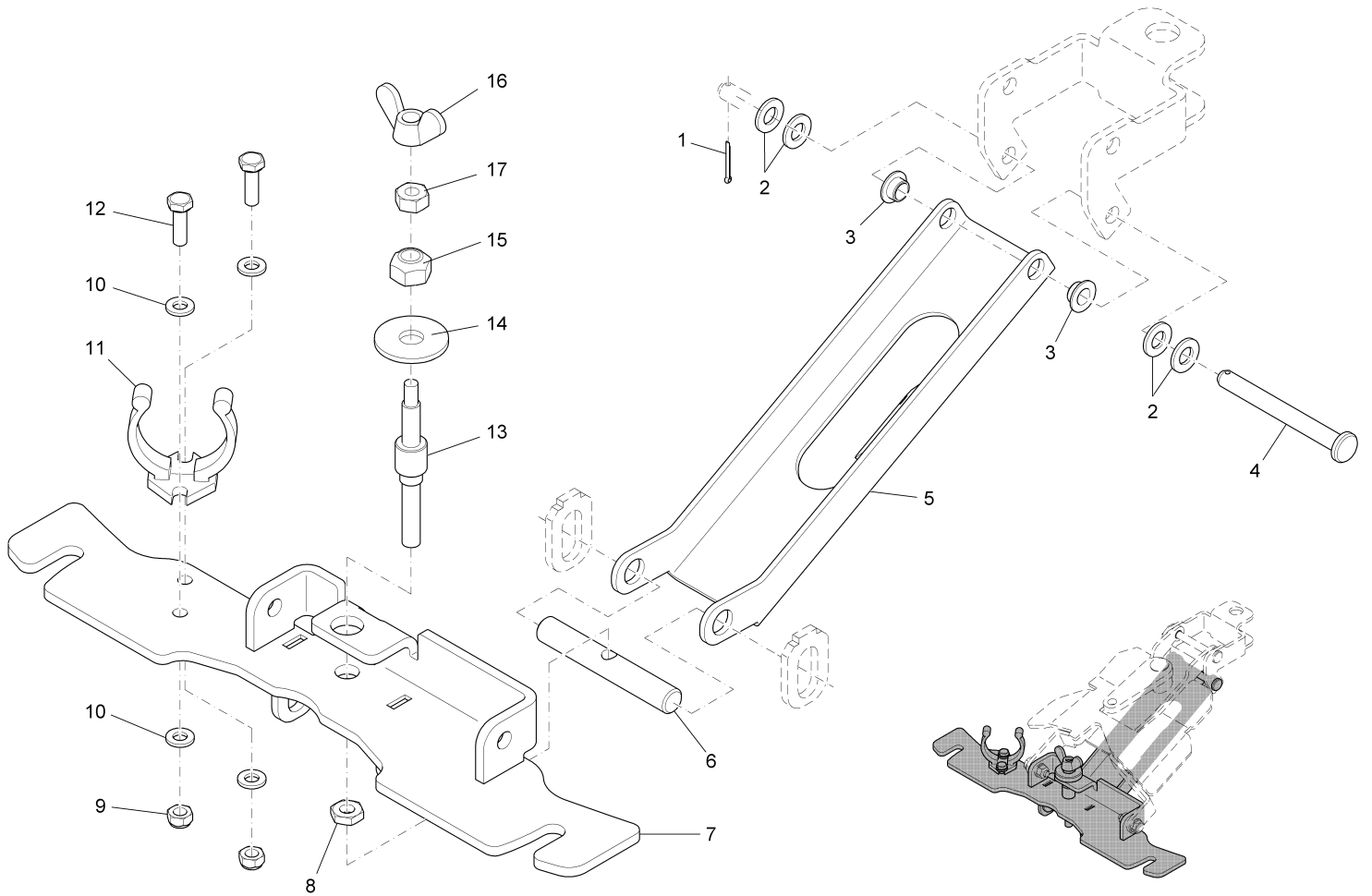
Squeegee connection (until appr. 15. Apr. 2008) part 1 (97099915-1)



**Squeegee connection (until appr. 15. Apr. 2008) part 1 (97099915-1)**

Item	Part number	Description	Qty.	Unit	Remarks
1	01130940	Cup head square neck bolt	1	PC	
2	01170040	Sheet metal	1	PC	
3	01077510	Slide bearing bush	2	PC	
4	01170160	Pipe	1	PC	
5	01078230	Slide bearing bush	2	PC	
6	00054860	Cotter pin	1	PC	
7	00053750	Washer	5	PC	
8	01079280	Round part	1	PC	
9	01078220	Bolt	1	PC	
10	01079290	Sheet metal	1	PC	
11	00042900	Washer	1	PC	
12	00051510	Hex. Nut	3	PC	
13	00053100	Hexagon screw	2	PC	
14	01077700	Bushing	2	PC	
15	00161240	Edge protection	1	M	

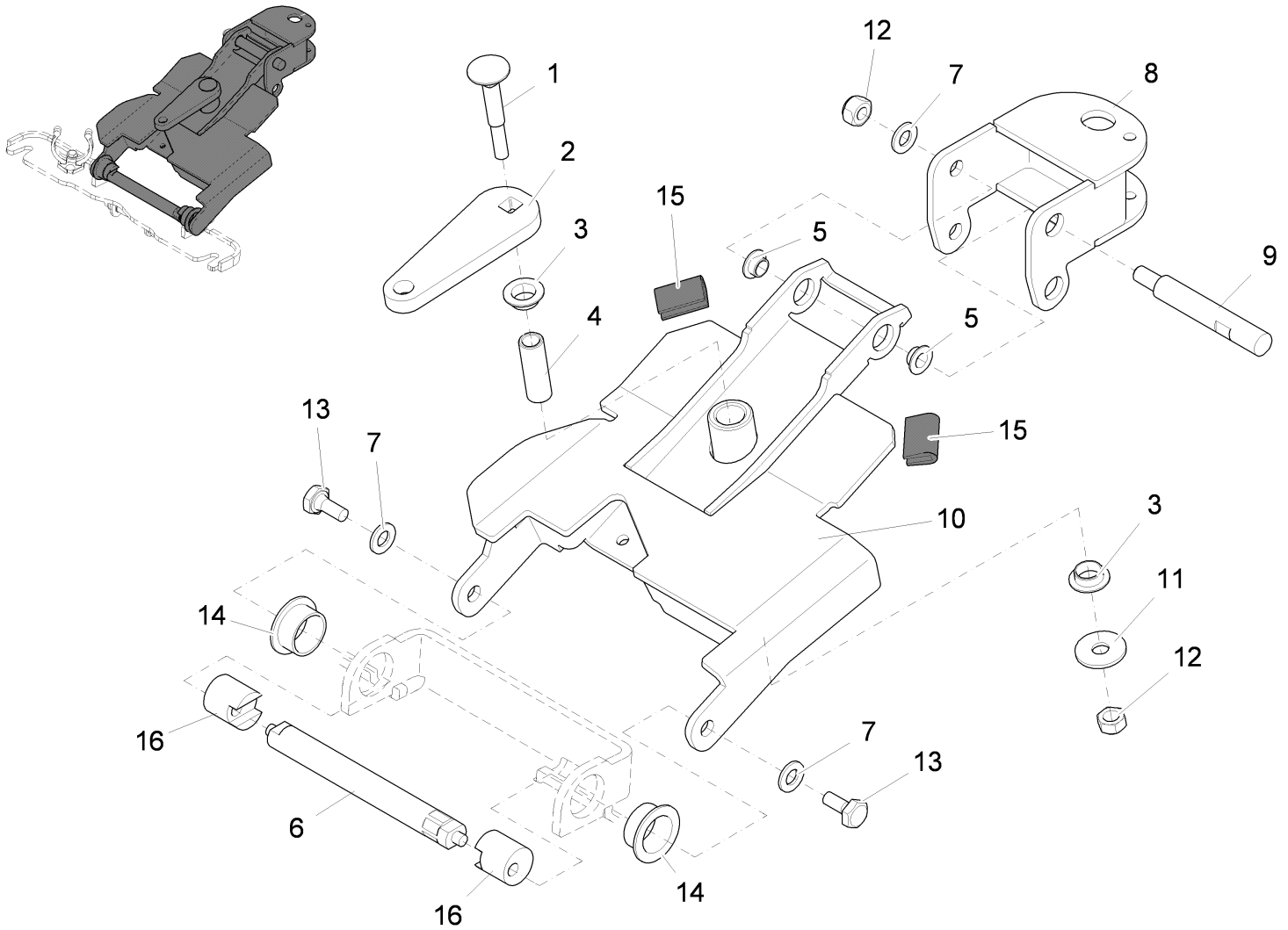
Squeegee connection (until appr. 15. Apr. 2008) part 2 (97099915-2)



**Squeegee connection (until appr. 15. Apr. 2008) part 2 (97099915-2)**

Item	Part number	Description	Qty.	Unit	Remarks
1	00054860	Cotter pin	1	PC	
2	00053750	Washer	1	PC	
3	01078230	Slide bearing bush	2	PC	
4	01170050	Bolt	1	PC	
5	01079320	Draft link	1	PC	
6	01077680	Bolt	1	PC	
7	01079330	Sheet metal	1	PC	
8	00046500	Hex. Nut	2	PC	
9	00051520	Hex. Nut	2	PC	
10	00053730	Washer	4	PC	
11	01078120	Hose support	1	PC	
12	00053020	Hexagon screw	2	PC	
13	01077850	Threaded pin	1	PC	
14	00042900	Washer	1	PC	
15	00051510	Hex. Nut	1	PC	
16	00054020	Wing nut	1	PC	
17	00053330	Hex. Nut	1	PC	

Squeegee connection (from appr. 15. Apr. 2008) part 1 (03008100BT10)

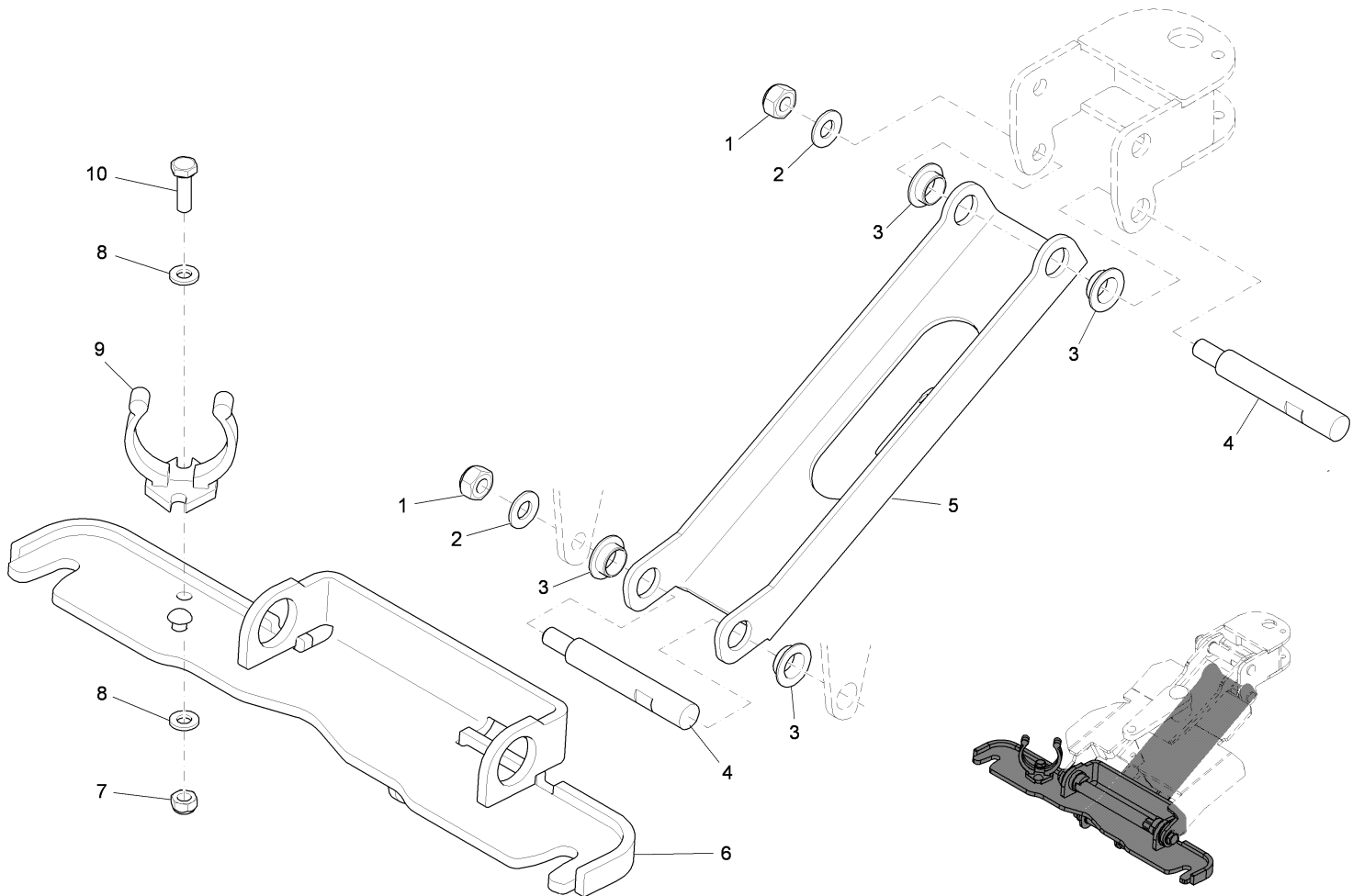




**Squeegee connection (from appr. 15. Apr. 2008) part 1 (03008100BT10)**

Item	Part number	Description	Qty.	Unit	Remarks
1	01130940	Cup head square neck bolt	1	PC	
2	01170040	Sheet metal	1	PC	
3	01077510	Slide bearing bush	2	PC	
4	01171550	Bushing	1	PC	
5	01171330	Slide bearing bush	2	PC	
6	01171360	Shaft	1	PC	
7	00101550	Washer	3	PC	
8	01171290	Round part	1	PC	
9	01171540	Threaded bolt	1	PC	
10	01171300	Sheet metal	1	PC	
11	00042900	Washer	1	PC	
12	00101540	Hex. Nut	2	PC	
13	01071740	Hex.bolt	2	PC	
14	01130470	Slide bearing bush	2	PC	
15	00161240	Edge protection	60mm	M	
16	01171370	Excentric	2	PC	

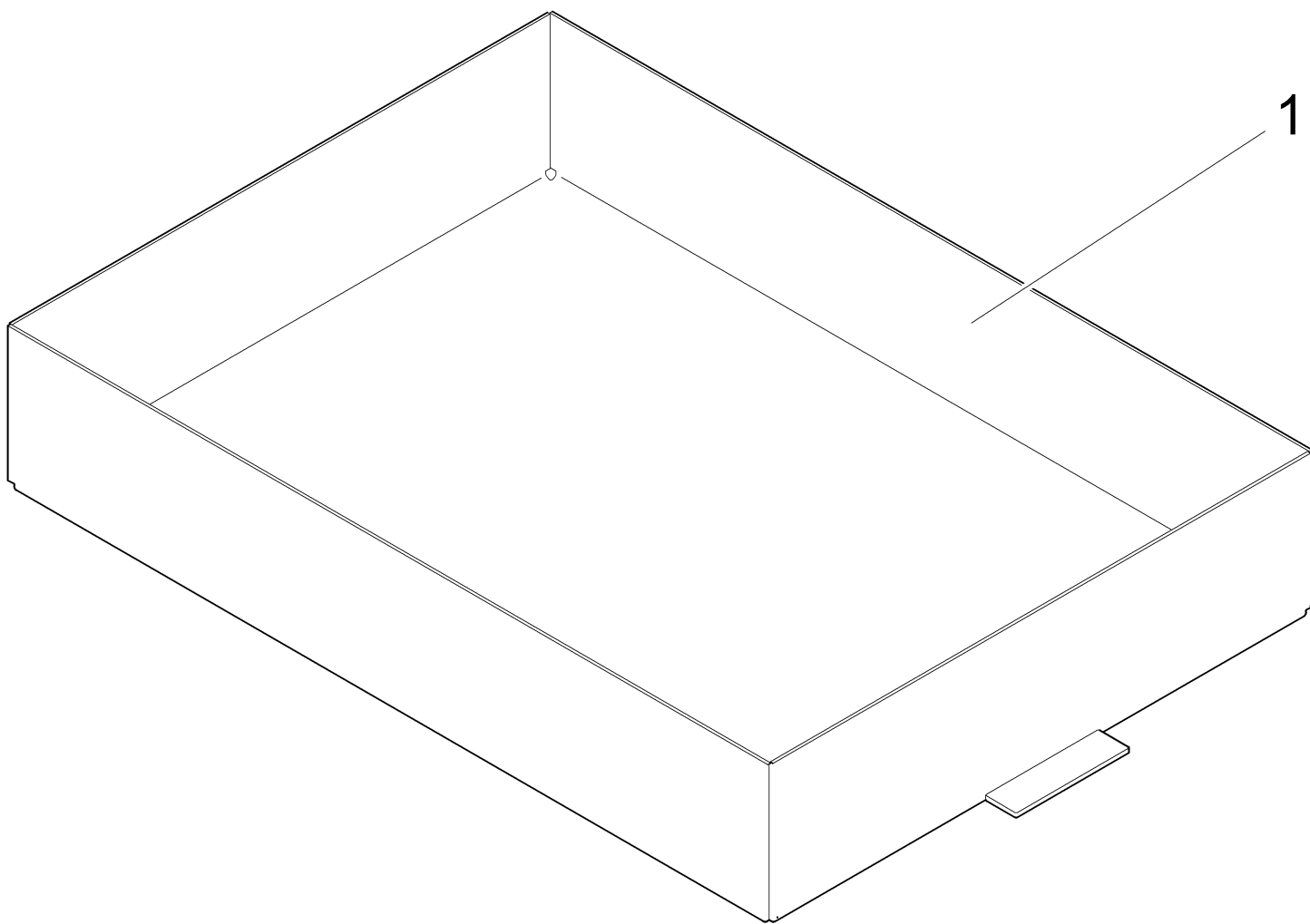
Squeegee connection (from appr. 15. Apr. 2008) part 2 (03008100BT20)



**Squeegee connection (from appr. 15. Apr. 2008) part 2 (03008100BT20)**

Item	Part number	Description	Qty.	Unit	Remarks
1	00101540	Hex. Nut	2	PC	
2	00101550	Washer	2	PC	
3	01171330	Slide bearing bush	2	PC	
4	01171540	Threaded bolt	3	PC	
5	01171280	Draft link	1	PC	
6	01171310	Sheet metal	1	PC	
7	00051520	Hex. Nut	1	PC	
8	00053730	Washer	2	PC	
9	01078120	Hose support	1	PC	
10	00053020	Hexagon screw	1	PC	

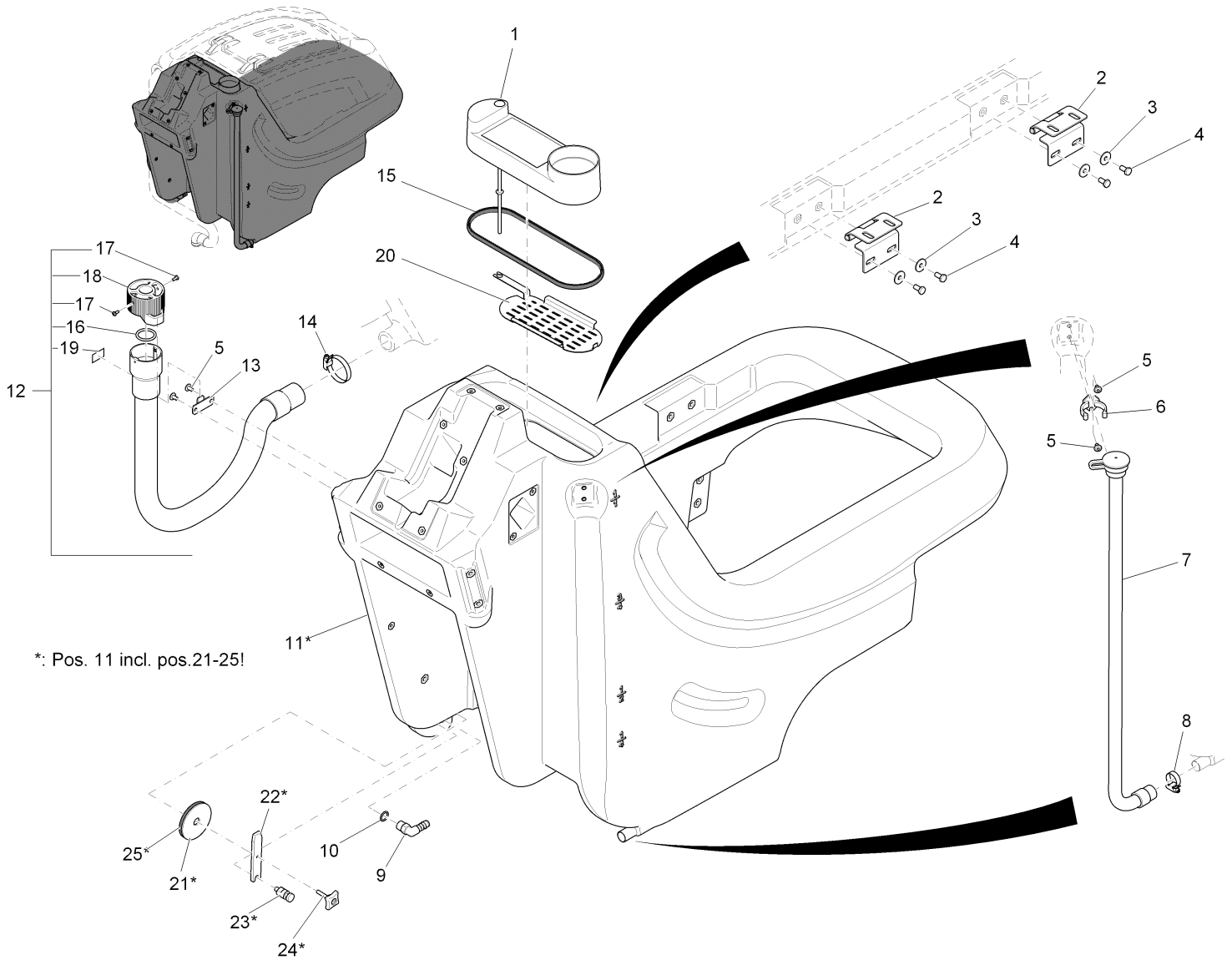
**Battery tray (99706133BT50)**



**Battery tray (99706133BT50)**

Item	Part number	Description	Qty.	Unit	Remarks
1	03007960	Battery tray	1	PC	

Hopper cpl. part1 (97121743-1)

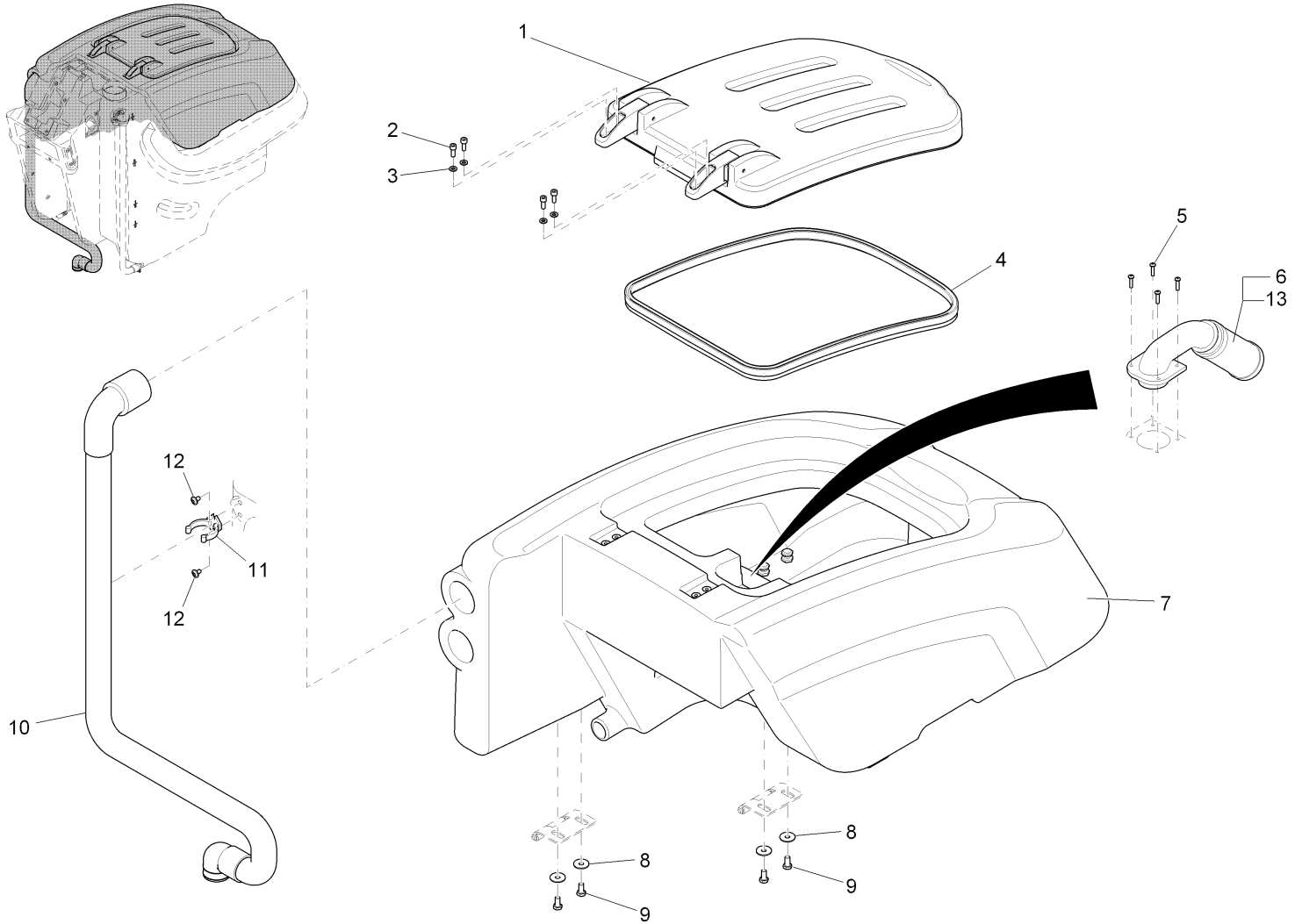


\*: Pos. 11 incl. pos.21-25!

Hopper cpl. part1 (97121743-1)

Item	Part number	Description	Qty.	Unit	Remarks
1	01078100	Fresh water cap	1	PC	
2	01078110	Hinge	2	PC	
3	00047990	Disk wheel	4	PC	
4	00053080	Hexagon screw	4	PC	
5	01072520	Lens flange screw	4	PC	
6	01078120	Hose support	1	PC	
7	01077910	Hose	1	PC	
8	01161690	Clamp	1	PC	
9	00020020	Angle socket	1	PC	
10	00057720	O-ring oil resistant	1	PC	
11	01078130	Fresh water tank	1	PC	incl. Pos.21-25
12	01077960	Foul water hose	1	PC	
13	01077860	Hook	1	PC	
14	00751160	Hose clamp	1	PC	
15	00721090	Edge protection	710mm	M	
16	01079300	O-Ring	1	PC	
17	00906100	Fillister-head screw	2	PC	
18	00906110	Cover	1	PC	
19	01170060	Decal FOUL WATER	1	PC	
20	01177520	Strainer	1	PC	
21	01178730	Cover	1	PC	
22	01178760	Bracket	1	PC	
23	01178750	Screw	1	PC	
24	01178770	Star handle screw	1	PC	
25	01178740	Gasket	1	PC	

Hopper cpl. part2 (97121743-2)

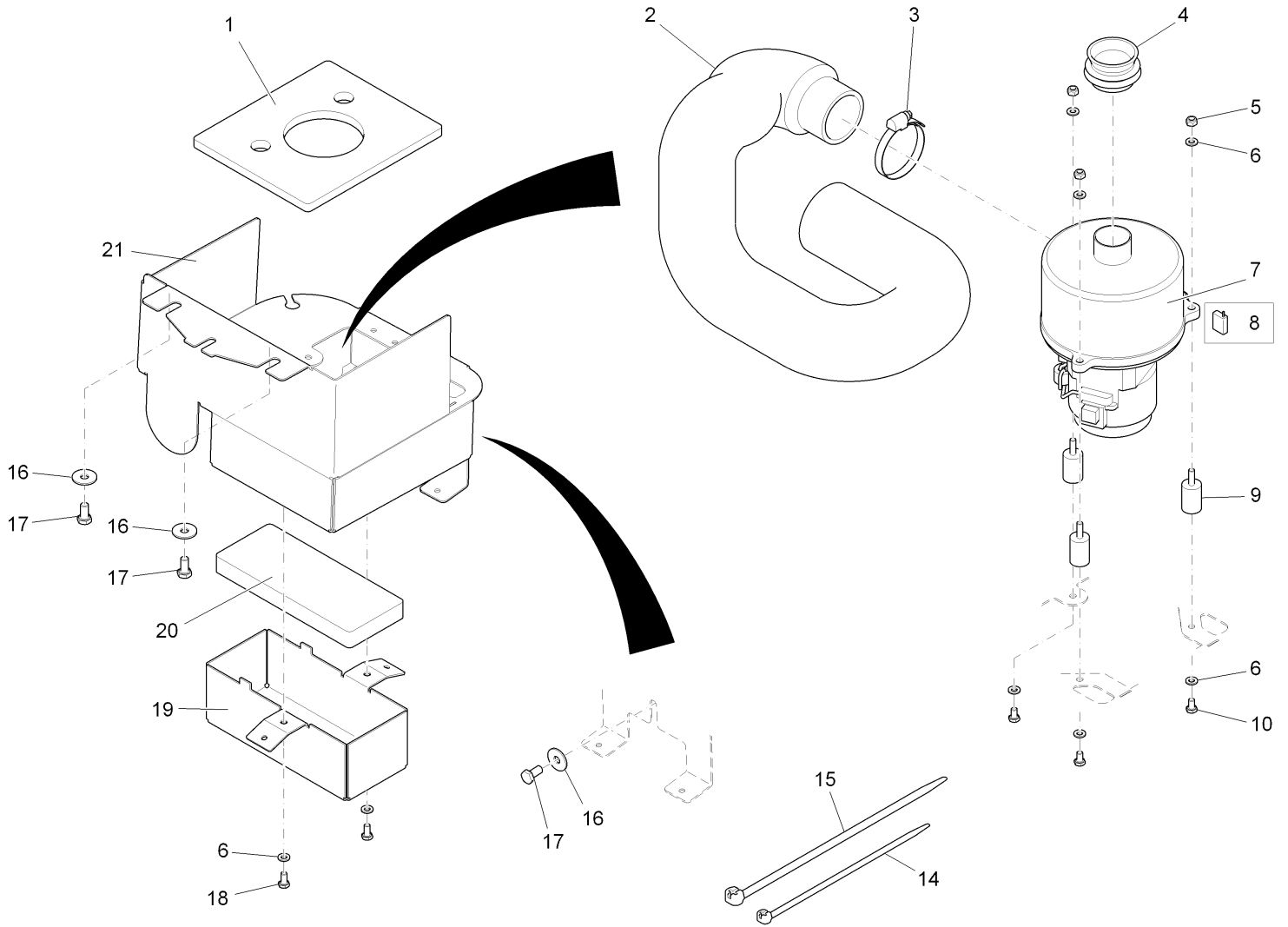




**Hopper cpl. part2 (97121743-2)**

Item	Part number	Description	Qty.	Unit	Remarks
1	01077990	Cover	1	PC	
2	00136910	Cylinder head screw	4	PC	
3	00053730	Washer	4	PC	
4	01071770	Sealing profile	1580 mm	M	
5	01078160	Screw	4	PC	
6	01078250	Filter unit	1	PC	
7	01078170	Dirt container	1	PC	
8	00047990	Disk wheel	4	PC	
9	00053080	Hexagon screw	4	PC	
10	01077920	Suction hose	1	PC	
11	01078120	Hose support	1	PC	
12	01072520	Lens flange screw	2	PC	
13	01274860	O-ring	1	PC	

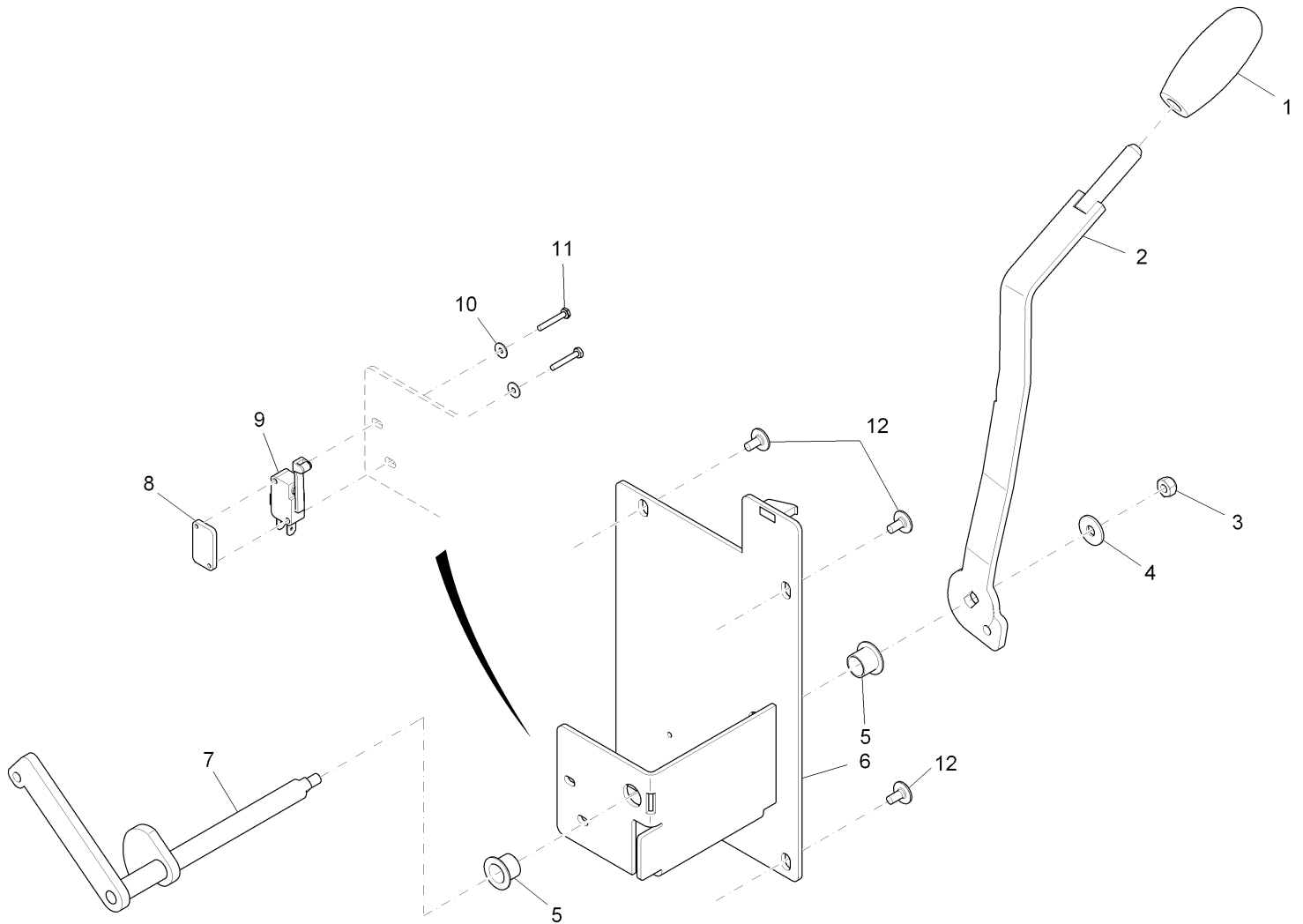
**Suction (97092811)**



**Suction (97092811)**

Item	Part number	Description	Qty.	Unit	Remarks
1	01079740	Insulation mat	1	PC	
2	01077900	Hose	1	PC	
3	00732130	Hose clamp	1	PC	
4	01078180	Connection	1	PC	
5	00051520	Hex. Nut	3	PC	
6	00053730	Washer	8	PC	
7	01079350	Suction motor	1	PC	
8	00048840	Carbon brush	4	PC	
9	01078190	Buffer	3	PC	
10	00554850	Hex.bolt	3	PC	
14	00121150	Cable tie	1	PC	
15	00967760	Cable tie	4	PC	
16	00042900	Washer	3	PC	
17	00053080	Hexagon screw	3	PC	
18	00104500	Hexagon screw	2	PC	
19	01079750	Cover	1	PC	
20	01079730	Insulation mat	1	PC	
21	03007810	Sheet metal	1	PC	

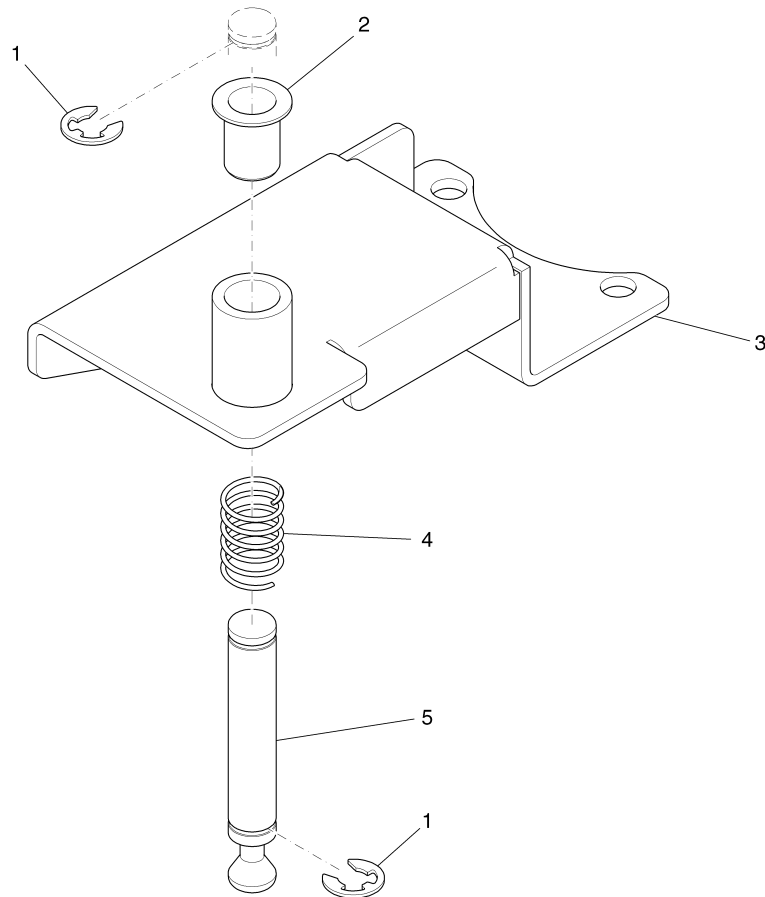
**Squeegee operation (Available! No.: 00009000) (00009000)**



**Squeegee operation (Available! No.: 00009000) (00009000)**

Item	Part number	Description	Qty.	Unit	Remarks
1	00705560	Handle	1	PC	
2	01079160	Lever	1	PC	
3	00051520	Hex. Nut	1	PC	
4	00135120	Washer	1	PC	
5	01071440	Plain bearing bush	2	PC	
6	01079710	Support plate	1	PC	
7	01079720	Shaft with cam	1	PC	
8	01074840	Thread base plate	1	PC	
9	00975510	Micro switch	1	PC	
10	00747400	Washer	2	PC	
11	00022180	Hex.bolt	2	PC	
12	01072520	Lens flange screw	4	PC	

Squeegee lock (97096655)



**Squeegee lock (97096655)**

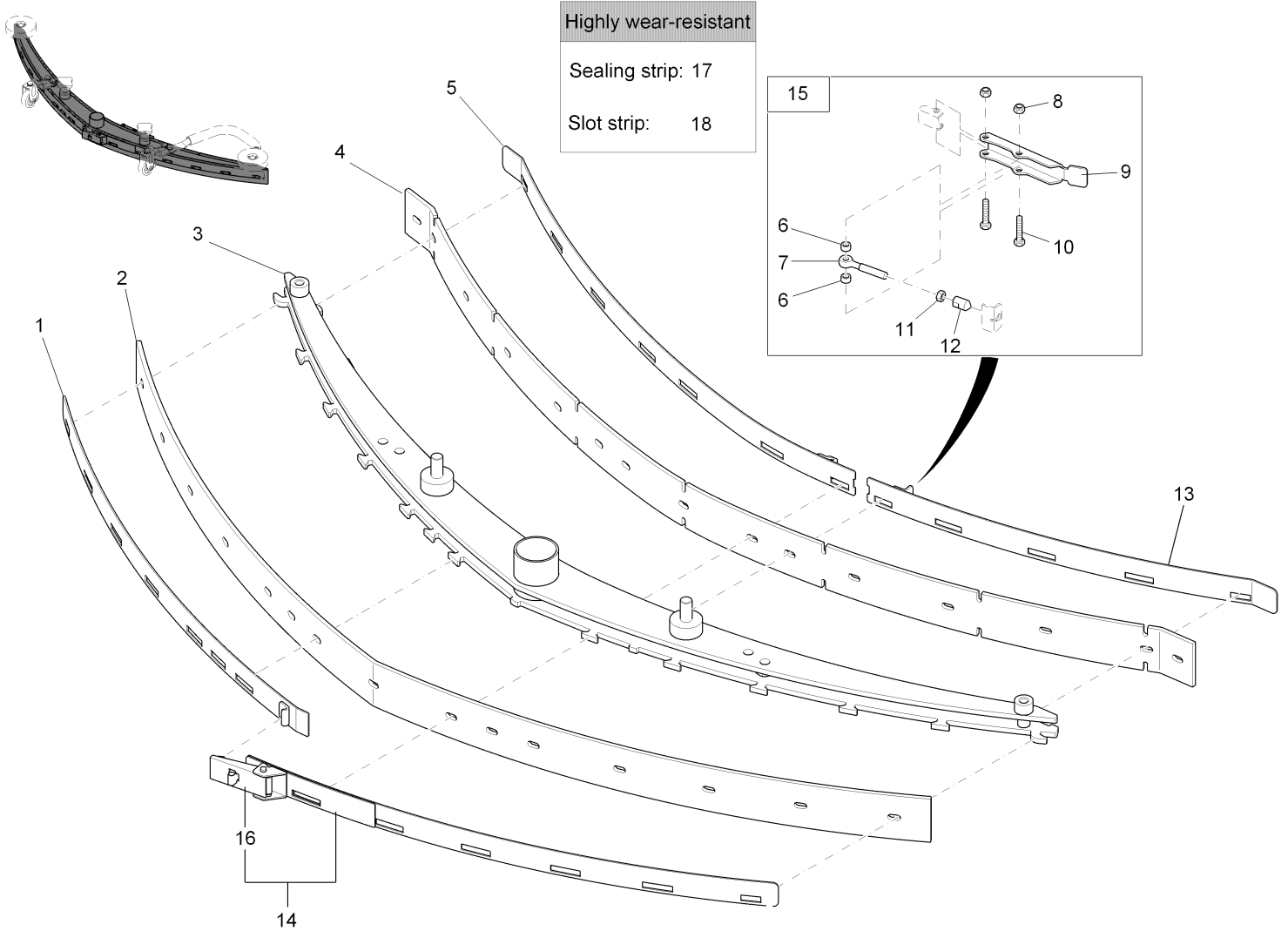
Item	Part number	Description	Qty.	Unit	Remarks
1	00046280	Thrust washer	2	PC	
2	00041400	Plain bearing bush	1	PC	
3	01170730	Folding plate	1	PC	
4	01170280	Cyl.compression spring	1	PC	
5	01170270	Pin	1	PC	

**Squeegee 950mm (97094502) 1900-01-01 --> 2009-09-30**

<b>Assembly</b>	<b>Description</b>	<b>Page</b>
97094502-1	Squeegee 95cm part 1	57
97094502-2	Squeegee 95cm part 2	59



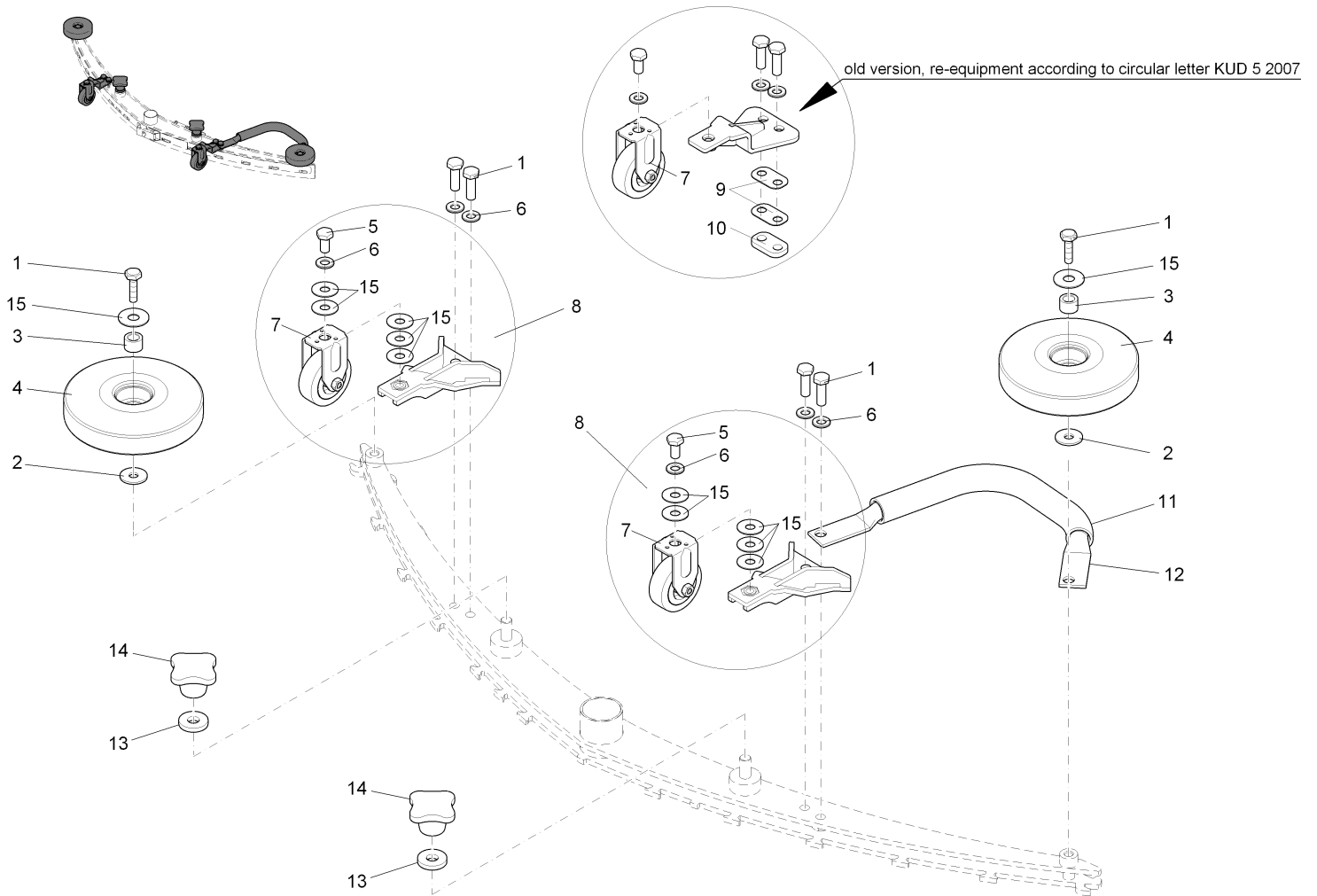
Squeegee 95cm part 1 (97094502-1)



**Squeegee 95cm part 1 (97094502-1) 2008-03-01 --> 2009-09-30**

Item	Part number	Description	Qty.	Unit	Remarks
1	01077660	Rear tension band	1	PC	
2	01077480	Sealing strip	1	PC	
3	01077940	Suction unit	1	PC	
4	01077470	Slot strip	1	PC	
5	01077650	Front tension band	1	PC	
6	01077590	Bushing	2	PC	
7	01077500	Eye bolt	1	PC	
8	01017660	Hex. Nut	2	PC	
9	01077580	Lever	1	PC	
10	01079890	Hexagon screw	2	PC	
11	00902250	Hex. Nut	1	PC	
12	01078090	Pressure piece	1	PC	
13	01077640	Front tension band	1	PC	
14	01077670	Rear tension band	1	PC	
15	00009010	Lock suction unit	1	PC	
16	01171810	Lock	1	PC	
17	01179180	Sealing strip	1	PC	for 95cm squeegee
18	01179170	Slot strip	1	PC	for 95cm squeegee

**Squeegee 95cm part 2 (97094502-2)**



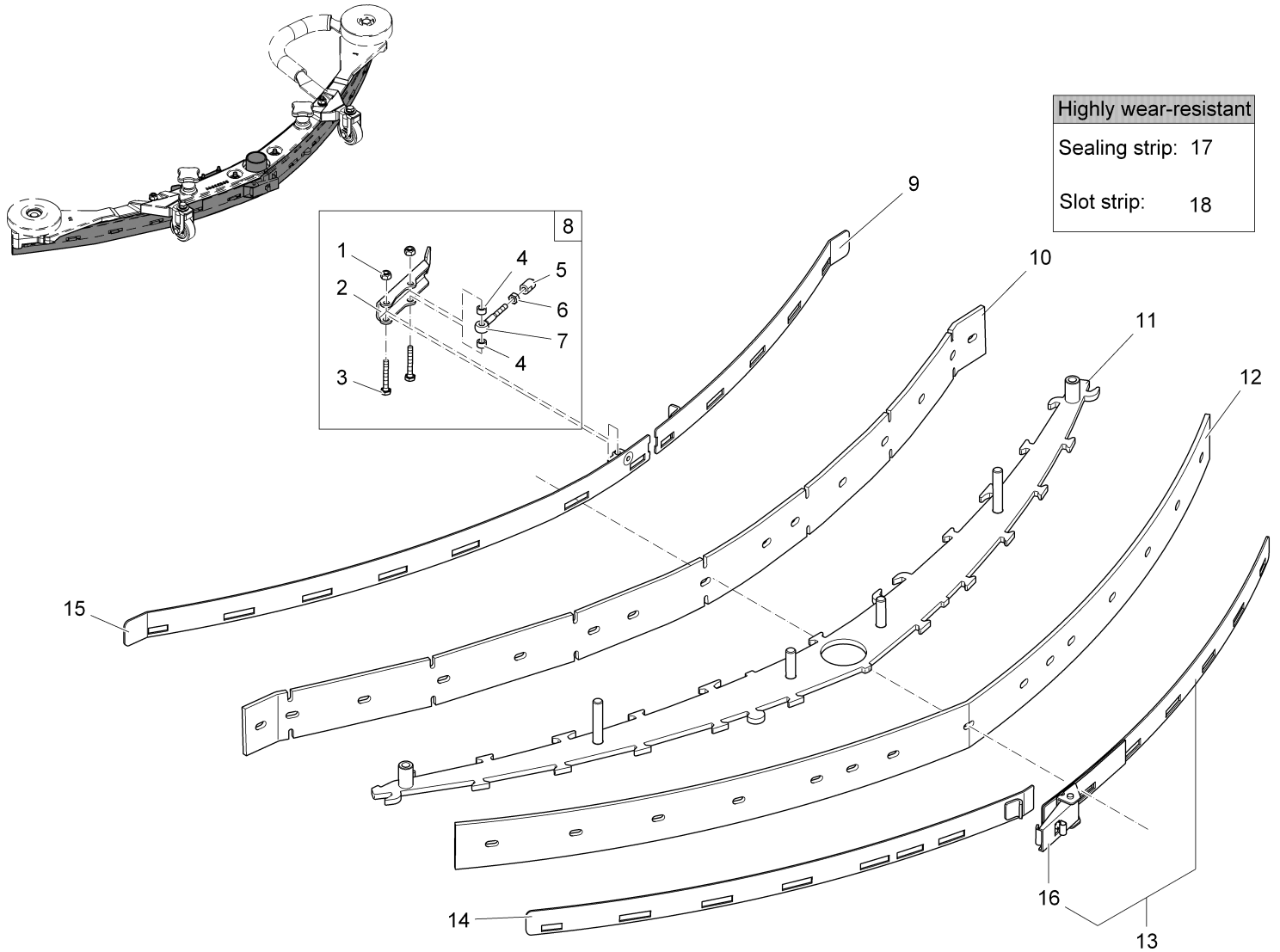
**Squeegee 95cm part 2 (97094502-2) 2008-03-01 --> 2009-09-30**

Item	Part number	Description	Qty.	Unit	Remarks
1	01059530	Hexagon screw	6	PC	
2	00902280	Washer	2	PC	
3	00879030	Pipe	2	PC	
4	01171790	Deflector roller	2	PC	
5	01071740	Hex.bolt	2	PC	
6	00101550	Washer	4	PC	
7	01077810	Fixed castor	2	PC	
8	01079070	Fixed castor	2	PC	
9	01077610	Distance piece	2	PC	
10	01077600	Distance piece	1	PC	
11	00911270	Hose	250mm	M	
12	01077620	Bracket	1	PC	
13	00972060	Disk wheel	2	PC	
14	01179360	Star handle yellow	2	PC	
15	01079080	Spacer	10	PC	

**Squeegee 950mm, cpl. (Available! No.: 01178270) (01178270) 2009-10-01 -->**

<b>Assembly</b>	<b>Description</b>	<b>Page</b>
01178270-1	Squeegee 950mm part 1	62
01178270-2	Squeegee 950mm part 2	64

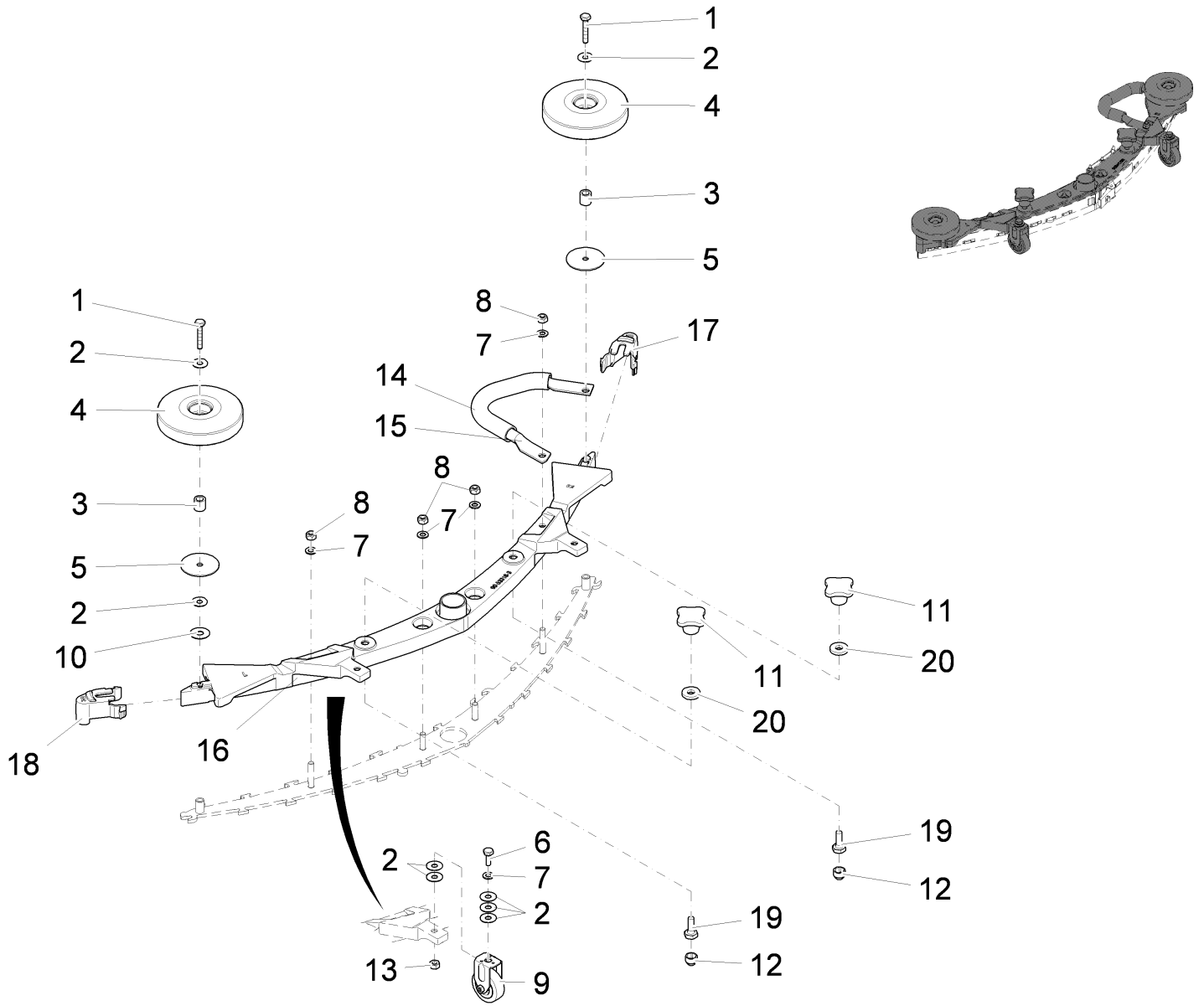
Squeegee 950mm part 1 (01178270-1)



**Squeegee 950mm part 1 (01178270-1)**

Item	Part number	Description	Qty.	Unit	Remarks
1	01017660	Hex. Nut	2	PC	
2	01077580	Lever	1	PC	
3	01079890	Hexagon screw	2	PC	
4	01077590	Bushing	2	PC	
5	01078090	Pressure piece	1	PC	
6	00902250	Hex. Nut	1	PC	
7	01077500	Eye bolt	1	PC	
8	00009010	Lock suction unit	1	PC	
9	01077640	Front tension band	1	PC	
10	01077470	Slot strip	1	PC	
11	01178350	Base plate	1	PC	
12	01077480	Sealing strip	1	PC	
13	01077670	Rear tension band	1	PC	
14	01077660	Rear tension band	1	PC	
15	01077650	Front tension band	1	PC	
16	01171810	Lock	1	PC	
17	01179180	Sealing strip	1	PC	for 95cm squeegee
18	01179170	Slot strip	1	PC	for 95cm squeegee

Squeegee 950mm part 2 (01178270-2)

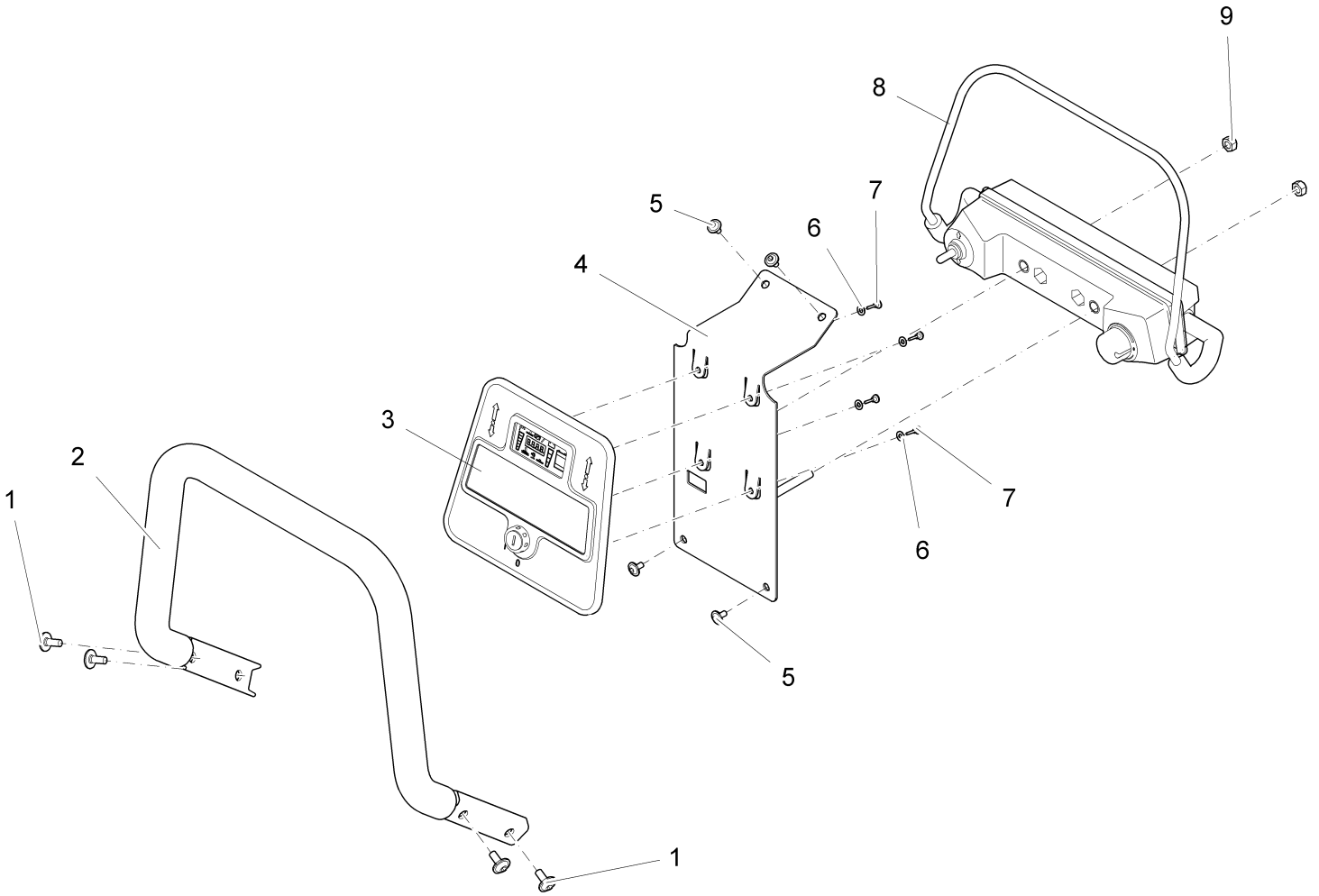




**Squeegee 950mm part 2 (01178270-2)**

Item	Part number	Description	Qty.	Unit	Remarks
1	00059460	Hex.bolt	2	PC	
2	01079080	Spacer	13	PC	
3	00879030	Pipe	2	PC	
4	01171790	Deflector roller	2	PC	
5	01178290	Conical spring washer	2	PC	
6	01162510	Hexagon screw	2	PC	
7	00101550	Washer	6	PC	
8	00101540	Hex. Nut	4	PC	
9	01077810	Fixed castor	2	PC	
10	00902280	Washer	1	PC	
11	01179360	Star handle yellow	2	PC	
12	00131610	Lens cap	2	PC	
13	00971400	Hex. Nut	2	PC	
14	00911270	Hose	260mm	M	
15	01178280	Bracket	1	PC	
16	01178340	Suction unit body 950mm	1	PC	
17	01178310	Protection cap R.H.	1	PC	
18	01178320	Protection cap L.H.	1	PC	
19	01019850	Hexagon screw	2	PC	
20	00972060	Disk wheel	2	PC	

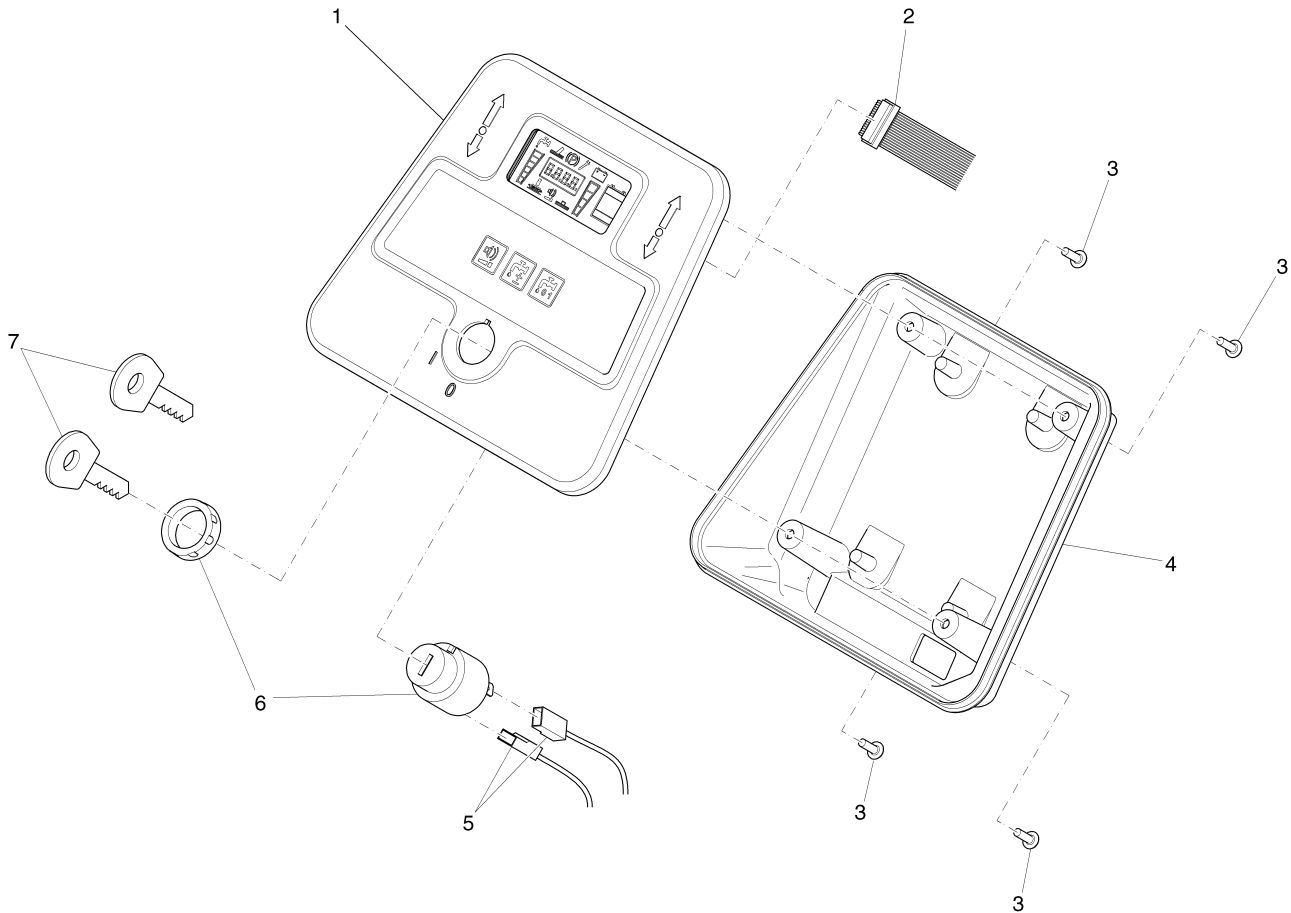
Operation handle (97096523)



**Operation handle (97096523)**

Item	Part number	Description	Qty.	Unit	Remarks
1	01171380	Lens flange screw	4	PC	
2	01079760	Handle bar	1	PC	
3	<b>97091839</b>	<b>Console cpl.</b>	<b>Page</b>	<b>68</b>	
4	01079770	Sheet metal	1	PC	
5	01072520	Lens flange screw	4	PC	
6	00874720	Washer	4	PC	
7	00961490	Self tapping screw	4	PC	
8	01079950	Bail system	1	PC	
9	00051510	Hex. Nut	2	PC	

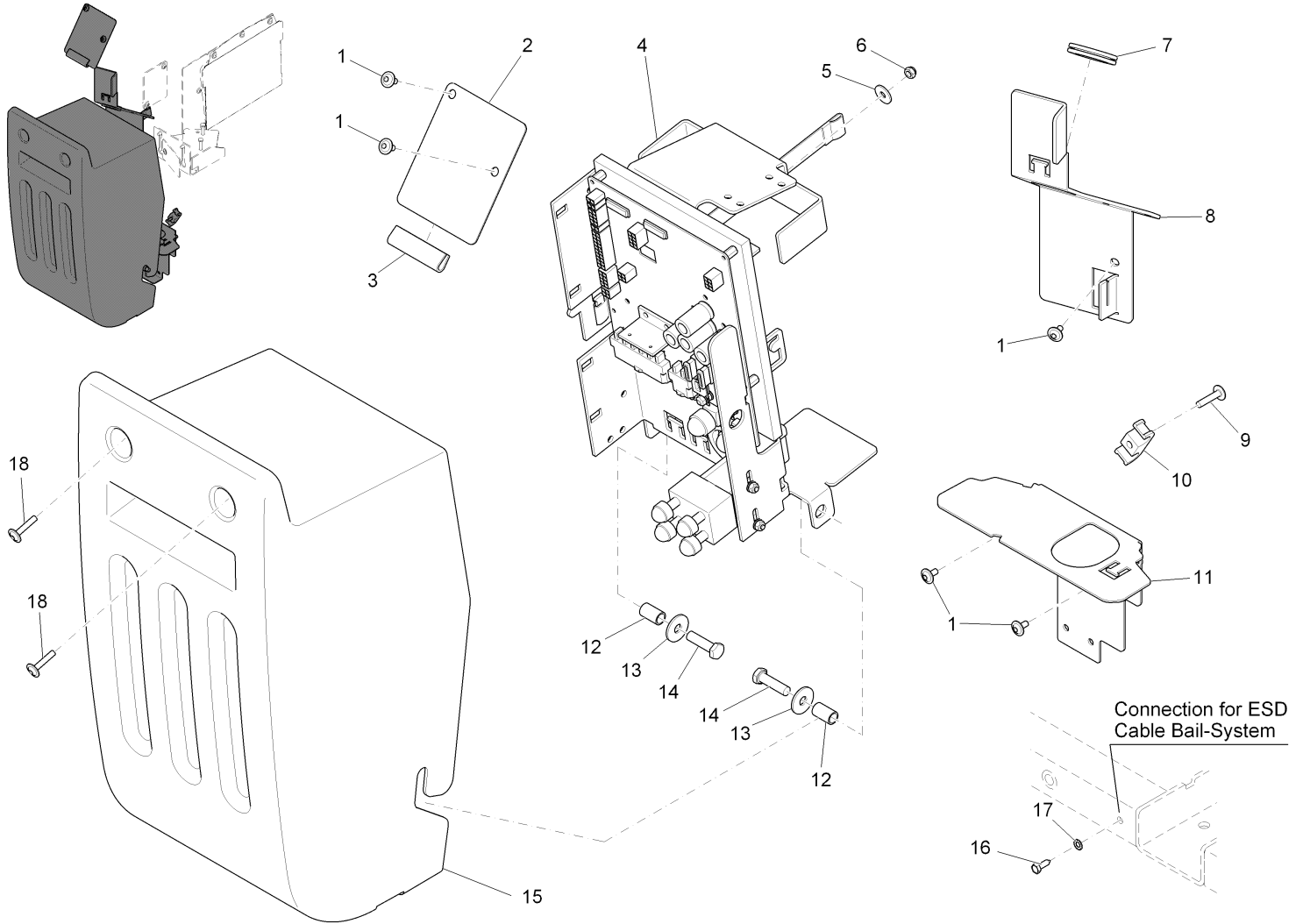
Console cpl. (97091839)



**Console cpl. (97091839)**

Item	Part number	Description	Qty.	Unit	Remarks
1	01079090	Console B70/B90	1	PC	
2	01078930	Ribbon cable	1	PC	
3	01078860	Screw	4	PC	
4	01078940	Console	1	PC	
5	01078950	Cable key switch	1	PC	
6	00021710	Key switch	1	PC	
7	00745890	Set (2pc.) key	1	PR	

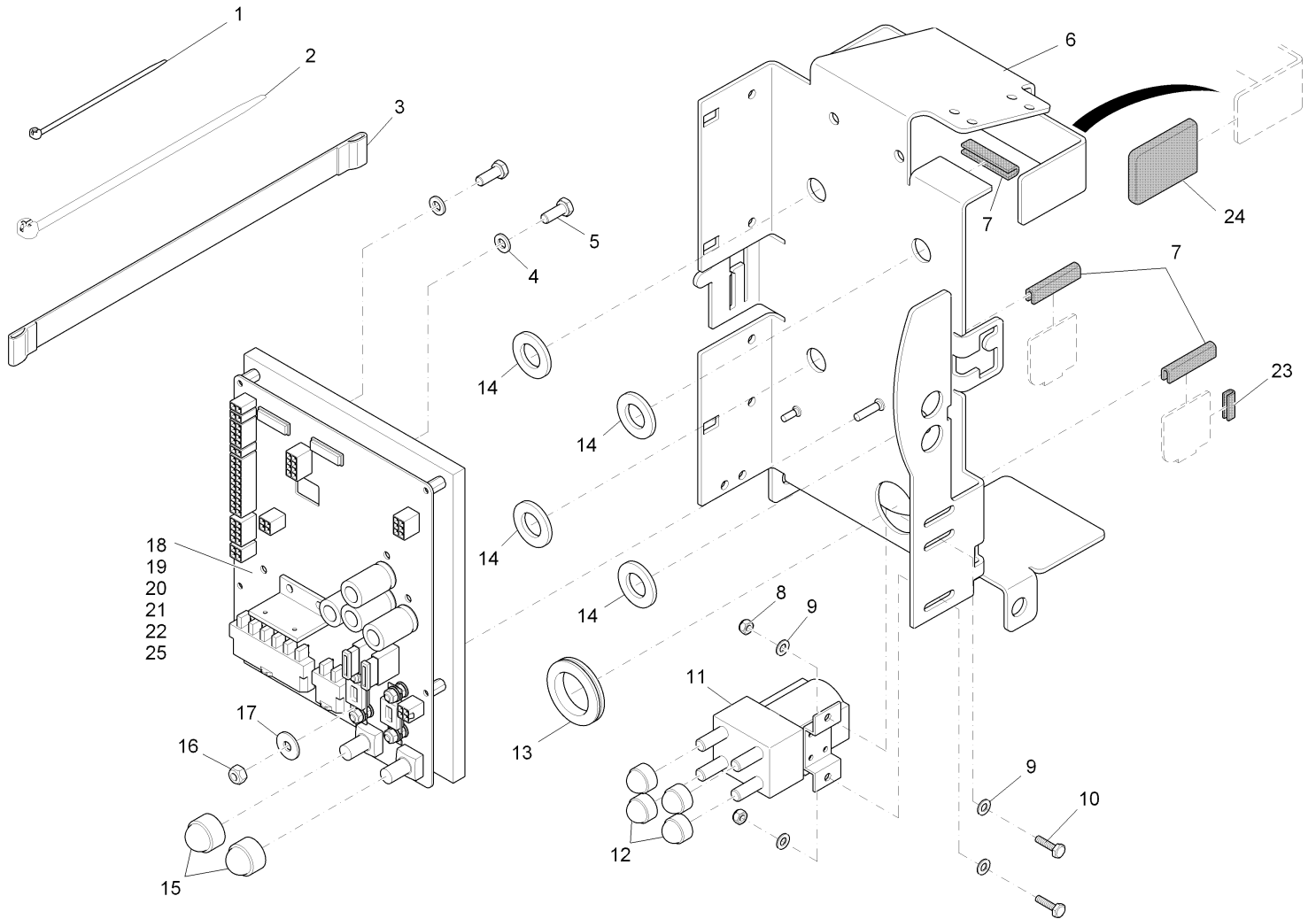
Electric part 1 (97099790-1)



Electric part 1 (97099790-1)

Item	Part number	Description	Qty.	Unit	Remarks
1	01072520	Lens flange screw	5	PC	
2	01078570	Sheet metal	1	PC	
3	00161240	Edge protection	1	M	
4	<b>97099006 7061-33</b>	<b>Retainer cpl.</b>	<b>Page</b>	<b>72</b>	
5	00153200	Washer	1	PC	
6	00051520	Hex. Nut	1	PC	
7	01079690	Bushing	1	PC	
8	01078580	Sheet metal	1	PC	
9	01082530	Lens flange screw	1	PC	
10	01073420	Clamp	1	PC	
11	01078590	Clamping plate	1	PC	
12	01078260	Bushing	2	PC	
13	00042900	Washer	2	PC	
14	00053110	Hexagon screw	2	PC	
15	01078270	Covering	1	PC	
16	01073850	Tapping screw	1	PC	
17	00857150	Lock washer	1	PC	
18	01174700	Lens flange screw	2	PC	

**Retainer cpl. (97099006 7061-33)**

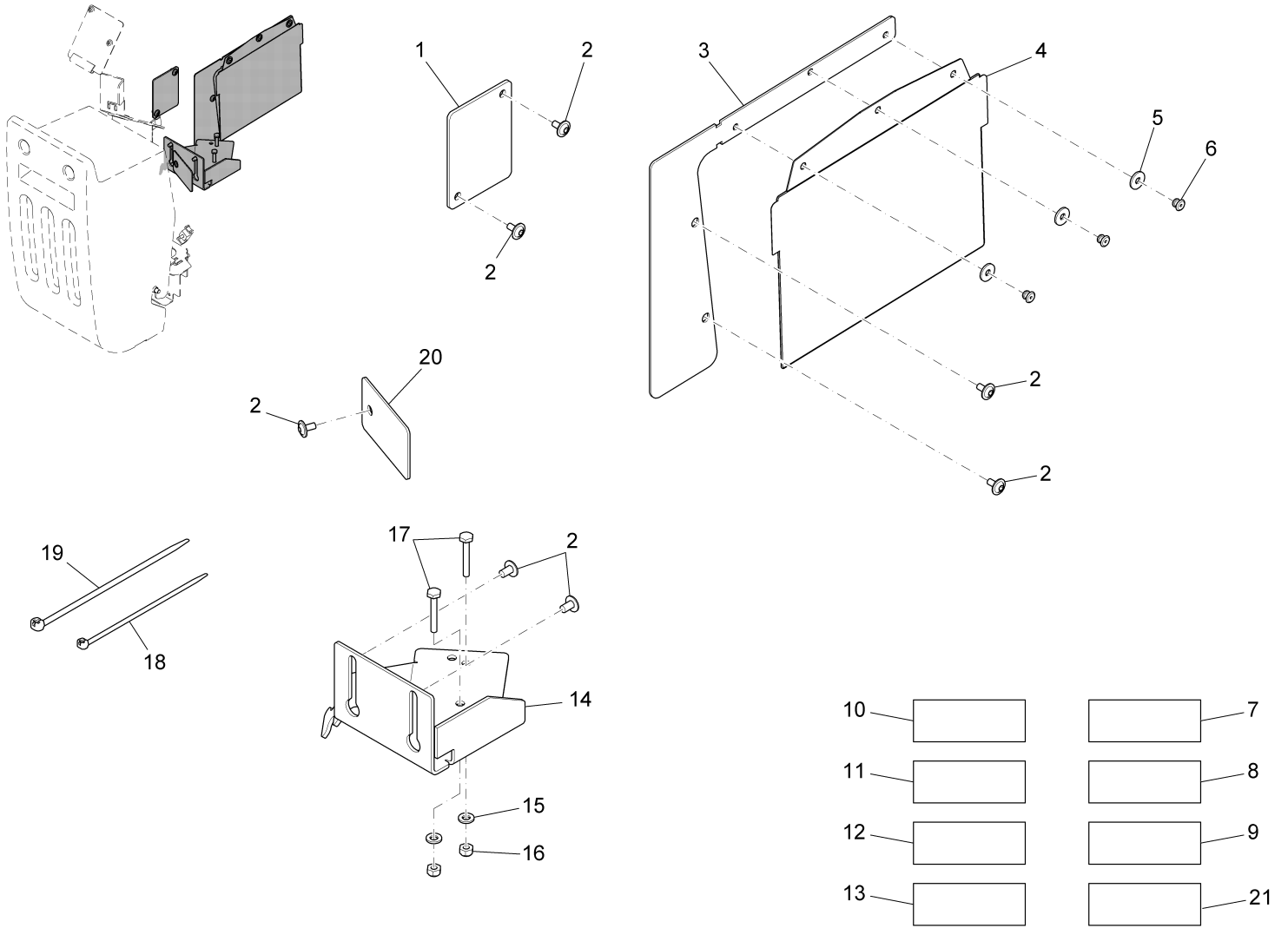




**Retainer cpl. (97099006 7061-33)**

Item	Part number	Description	Qty.	Unit	Remarks
1	00967760	Cable tie	4	PC	
2	00121150	Cable tie	8	PC	
3	01077880	Webbing	1	PC	
4	00053730	Washer	2	PC	
5	00053010	Hex.bolt	2	PC	
6	01078640	Retainer	1	PC	
7	00721090	Edge protection	120mm	M	
8	00051340	Hex. Nut	2	PC	
9	00053720	Washer	4	PC	
10	00054410	Hex.bolt	2	PC	
11	00707360	Solenoid switch	1	PC	
12	00131610	Lens cap	4	PC	
13	01079690	Bushing	1	PC	
14	01078240	Washer	4	PC	
15	00747210	Lens cap	2	PC	
16	00051520	Hex. Nut	1	PC	
17	00135120	Washer	1	PC	
18	01171100-24	Controller HIGH 8-fet BAIL for 24"	1	PC	Programmed specifically for Phönix 24
19	00059580	Fuse		PC	
20	00902440	Fuse		PC	
21	00733630	Fuse		PC	
22	00972430	Fuse link		PC	
23	00721090	Edge protection	30mm	M	
24	01074240	Cap	2	PC	
25	00906120	Fuse		PC	

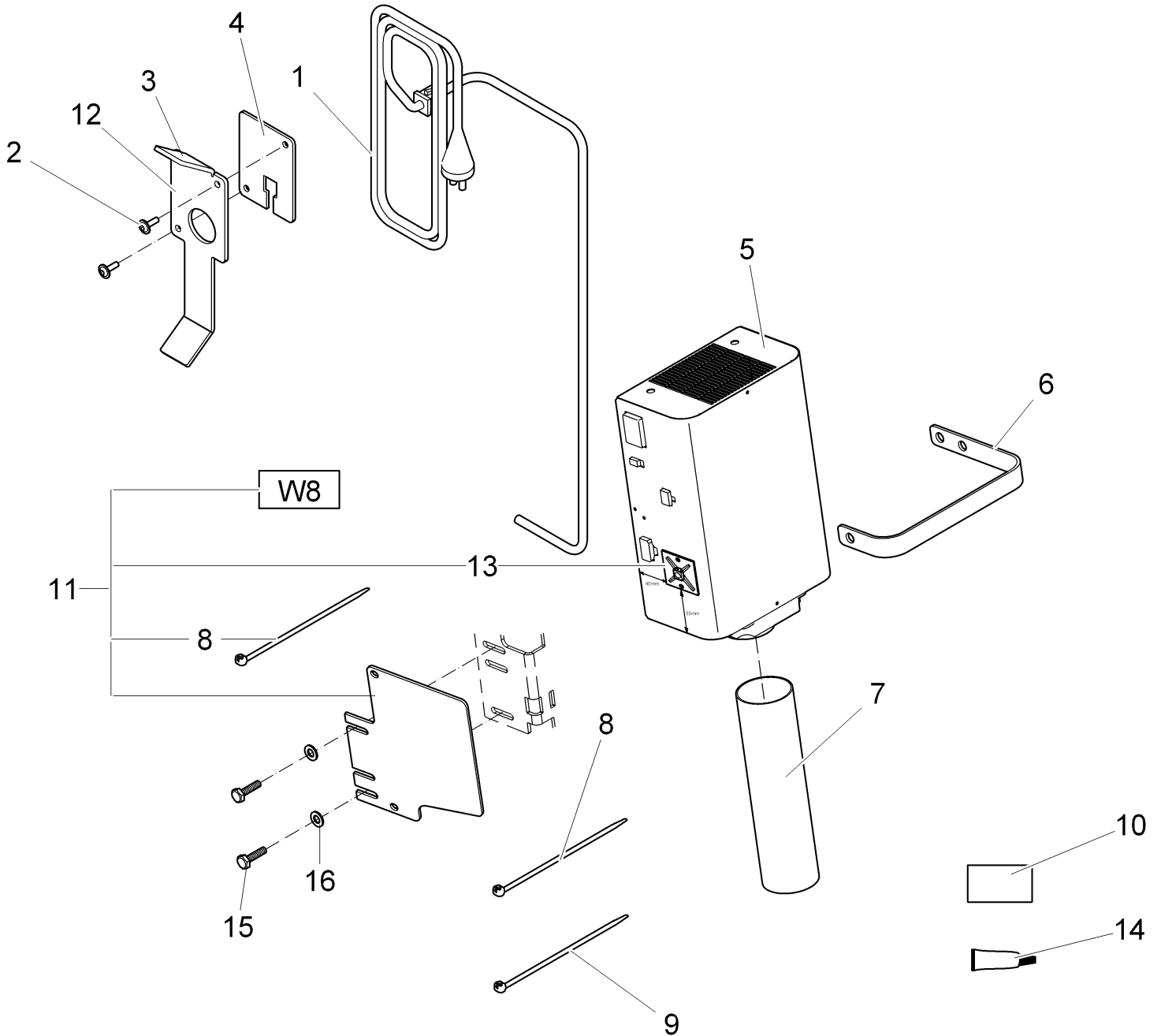
Electric part 2 (97099790-2)



**Electric part 2 (97099790-2)**

Item	Part number	Description	Qty.	Unit	Remarks
1	01078600	Cover	1	PC	
2	01072520	Lens flange screw	7	PC	
3	01078610	Sheet metal	1	PC	
4	01078280	Bag	1	PC	
5	00555520	Washer	3	PC	
6	01078290	Blind rivet	3	PC	
7	03006850	Wiring harness W1	1	PC	
8	03007770	Wiring harness W2	1	PC	
9	03007800	Wiring harness	1	PC	
10	03006870	Wiring harness W9	1	PC	
11	03006880	Wiring harness W11	1	PC	
12	03006890	Set of cables	1	PC	
13	03006900	Set of cables battery	1	PC	
14	01078620	Sheet metal	1	PC	
15	00053730	Washer	2	PC	
16	00051520	Hex. Nut	2	PC	
17	00535110	Hex.bolt	2	PC	
18	00121150	Cable tie	12	PC	
19	00967760	Cable tie	18	PC	
20	01078630	Sheet metal	1	PC	
21	03007780	Cable loom	1	PC	

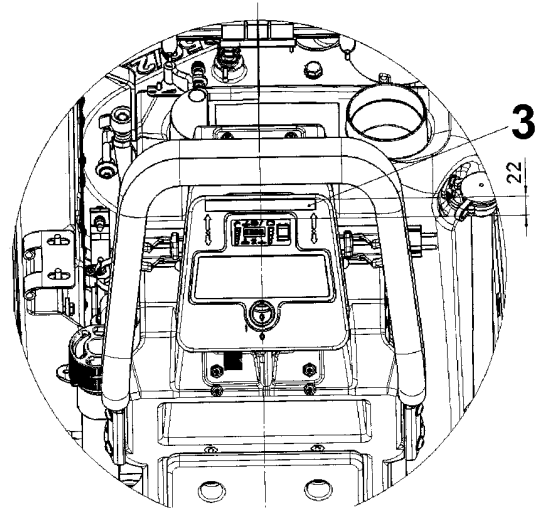
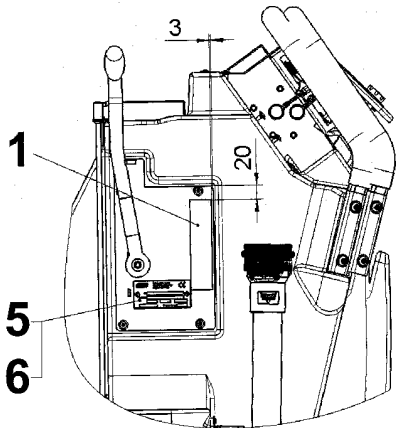
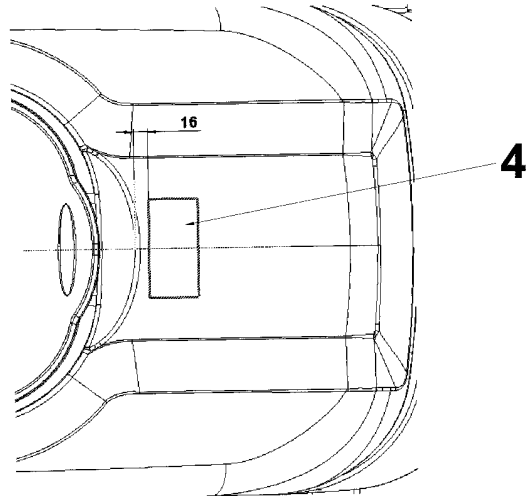
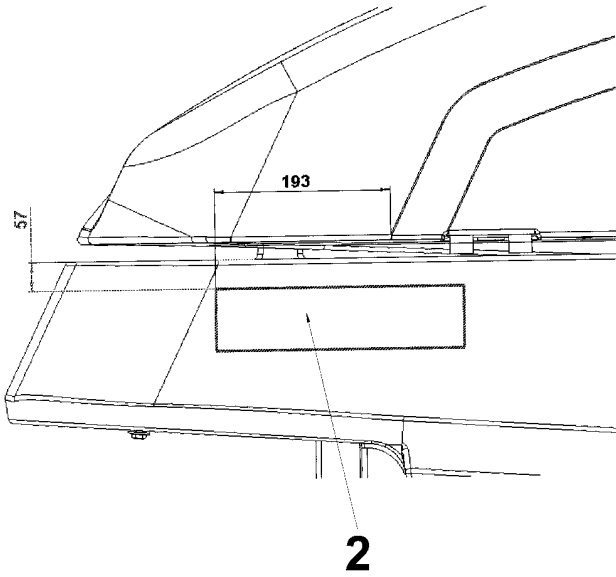
**Battery charger 24V 22A (97099436)**



**Battery charger 24V 22A (97099436)**

Item	Part number	Description	Qty.	Unit	Remarks
1	01079380	Power cable	1	PC	
2	01017640	Lens flange screw	2	PC	
3	01074240	Cap	2	PC	To stick on pos.12 with Loctite!
4	01079360	Cover	1	PC	
5	01079370	On-board charger 24V 22A 120V	1	PC	
6	01077870	Tension band	1	PC	
7	01078320	Hose	3	PC	
8	00121150	Cable tie	8	PC	
9	00967760	Cable tie	1	PC	
10	03006770	Wire harness W6	1	PC	
11	01172530	Retool kit BATTERY CHARGER 30A	1	PC	
12	01079390	Cable retainer	1	PC	
13	01178010	Attachment base	1	PC	
14	03009180	Grease	1	PC	
15	00054410	Hex.bolt	1	PC	
16	00053720	Washer	1	PC	

Labels (97099881)



**Labels (97099881)**

Item	Part number	Description	Qty.	Unit	Remarks
1	01170740	Decal	1	PC	
2	03008660	Decal PHOENIX 26	2	PC	
3	03008500	Decal PHOENIX SERIES	1	PC	
4	03008510	Decal POWER BOSS	1	PC	
5	03008410	Type plate POWERBOSS	1	PC	
6	00504370	Blind rivet	2	PC	

## Warranty Information

Revision F  
Effective November 1, 2008  
PowerBoss Made Simple Industrial Limited Warranty

Minuteman International owner of PowerBoss warrants to the original purchaser/user that the product is free from defects in workmanship and materials under normal use. PowerBoss will, at its option, repair or replace without charge, parts that fail under normal use and service when operated and maintained in accordance with the applicable operation and instruction manuals. All warranty claims must be submitted through and approved by factory authorized repair stations.

This warranty does not apply to normal wear, or to items whose life is dependent on their use and care. Parts not manufactured by PowerBoss are covered by and subject to the warranties and/or guarantees of their manufacturers. Please contact Minuteman International for procedures in warranty claims against these manufacturers.

**Special warning to purchaser** -- Use of replacement parts not manufactured by PowerBoss or its designated licensees, will void all warranties expressed or implied. A potential health hazard exists without original equipment replacement.

All warranted items become the sole property of Minuteman International or PowerBoss or its original manufacturer, whichever the case may be.

PowerBoss disclaims any implied warranty, including the warranty of merchantability and the warranty of fitness for a particular purpose. PowerBoss assumes no responsibility for any special, incidental or consequential damages.

This limited warranty is applicable only in the U.S.A. and Canada, and is extended only to the original user/purchaser of this product. Customers outside the U.S.A. and Canada should contact their local distributor for export warranty policies. PowerBoss is not responsible for costs or repairs performed by persons other than those specifically authorized by PowerBoss. This warranty does not apply to damage from transportation, alterations by unauthorized persons, misuse or abuse of the equipment, use of non-compatible chemicals, or damage to property, or loss of income due to malfunctions of the product. If a difficulty develops with this machine, you should contact the dealer from whom it was purchased.

This warranty gives you specific legal rights, and you may have other rights, which vary from state to state. Some states do not allow the exclusion or limitation of special, incidental or consequential damages, or limitations on how long an implied warranty lasts, so the above exclusions and limitations may not apply to you.

	Travel*	Labor	Parts	Engine	Extended Warranty	Costs
<b>Walk behinds</b>						
Battery sweepers	Ninety days	One year	One year	N/A	2 years Parts + Labor (or 2000 Hours)	2%
IC sweepers	Ninety days	One year	One year	Through manufacturer	2 years Parts + Labor (or 2000 Hours)	2%
Battery scrubbers	Ninety days	Two years	Three years	N/A	3 Years Parts + Labor (or 3000 Hours)	2%
<b>Riders</b>						
Battery scrubbers	Ninety days	Two years	Three years/2000 hrs	N/A	3 Years Parts + Labor (or 3000 Hours)	2%
IC sweeper/scrubbers	Ninety days	Six months	Two years/2000 hrs	Two years/3000 hrs**	2 years Parts + Labor (or 2000 Hours)	3%
IC sweepers	Ninety days	Six months	Four years/3000 hrs	Five years/3000 hrs**	4 Years Parts + 2 Years Labor (or 4000 Hours)	3%
<b>Exceptions</b>						
Apex series sweeper	Ninety days	One year	One year/1000 hrs	One year/1000 hrs**	2 years Parts + Labor (or 2000 Hours)	3%
6X sweeper	Ninety days	Six months	Two years/2000 hrs	Two years/2000 hours**	2 years Parts + Labor (or 2000 Hours)	3%

**Tank Bladders** Eight years/ no additional labor  
**Polypropylene plastic tanks** Ten years/ no additional labor  
**Batteries** 0-3 months full replacement, 4-12 prorated credit  
**Chargers** One-year replacement  
**Replacement parts** Ninety days

\*Two-hour cap

\*\*Through engine manufacturer. See section 3 of warranty manual for engine warranty exceptions

\*\*\* Based upon dealer's certification status

Extended Warranty MUST be signed up within 30 days of delivery to End User (Dealer has 1Year from Receiving Machine to Sign up extended Warranty)

Extended Warranty Cost is based on Invoice Price multiplied by the Percentage listed in the Extended Warranty Column

*All above labor and travel reimbursed at 65 or 75% of the published shop rate.*







***“The Power of Clean”***

**PowerBoss Is A Full Line Manufacturer Of Sweepers and Scrubbers For Industrial Facilities.**

PowerBoss, Inc 175 Anderson Street P.O. Box 1227- Aberdeen North Carolina 28315

Phone: 800-982-7141 - Fax: 1-800-277-7141 Local: 910-944-2105 Fax: 910-944-7409 e-mail: [techsupport@powerboss.com](mailto:techsupport@powerboss.com)

**A Member Of The Hako Group**